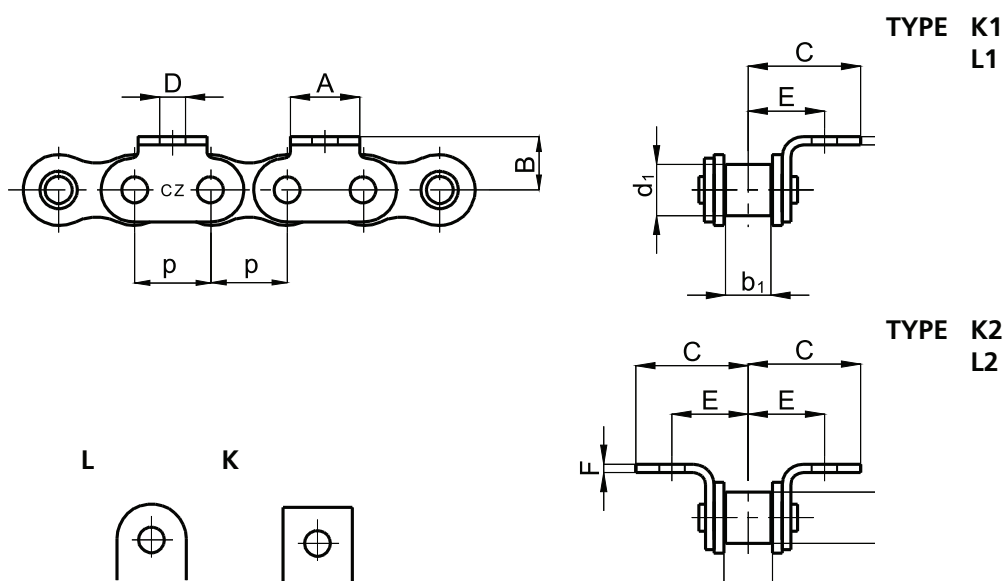


SIMPLEX ROLLER CHAINS WITH ATTACHMENTS K1, L1, K2, L2



According to ČSN 02 3312

ČSN	PITCH	INSIDE WIDTH	ROLLER DIAMETER	DIMENSION	DIMENSION	ATTACHMENT HOLE DIAMETER	DIMENSION	DIMENSION	ATTACHMENT PLATE THICKNESS	WEIGHT	BREAKING LOAD
	p	b ₁ min.	d ₁ max.	A	B	D	E	C	F	q	FB min.
	mm	mm	mm	mm	mm	mm	mm	mm	mm	kg/m	N
06 B-1 K1	9,525	5,72	6,35	8,00	6,50	3,20	9,00	13,50	1,00	0,46	9 345
08 B-1 K1	12,7	7,75	8,51	11,50	8,90	4,30	12,70	18,70	1,40	0,79	18 690
10 B-1 K1	15,875	9,65	10,16	14,00	10,30	5,30	15,875	23,87	1,60	1,04	23 310
12 B-1 K1	19,05	11,68	12,07	17,00	13,45	6,40	19,05	28,05	1,80	1,39	30 345
12 B-1 L1	19,05	11,68	12,70	20,00	12,00	6,40	22,85	32,85	2,00	1,43	30 345
16 B-1 L1	25,4	17,02	15,88	25,00	19,50	8,40	30,20	42,70	3,00	3,06	65 000
06 B-1 K2	9,525	5,72	6,35	8,00	6,50	3,20	9,00	13,50	1,00	0,51	9 345
08 B-1 K2	12,7	7,75	8,51	11,50	8,90	4,30	12,70	18,70	1,40	0,87	18 690
10 B-1 K2	15,875	9,65	10,16	14,00	10,30	5,30	15,875	23,87	1,60	1,13	23 310
12 B-1 K2	19,05	11,68	12,07	17,00	13,45	6,40	19,05	28,05	1,80	1,53	30 345
12 B-1 L2	19,05	11,68	12,07	20,00	12,00	6,40	22,85	32,85	2,00	1,63	30 345
16 B-1 L2	25,4	17,02	15,88	25,00	19,50	8,40	30,20	42,70	3,00	3,44	65 000

The plates M1, K1, L1, K2, L2 position must be consulted with producer

SIMPLEX ROLLER CHAINS WITH ATTACHMENTS K1, L1, K2, L2

Design according to ČSN 02 3312

ČZ Standard

TRADE MARK ČZ	PITCH	INSIDE WIDTH	ROLLER DIAMETER	DIMENSION	DIMENSION	ATTACHMENT HOLE DIAMETER	DIMENSION	DIMENSION	ATTACHMENT PLATE THICKNESS	WEIGHT	BREAKING LOAD
	p	b1 min.	d1 max.	A	B	D	E	C	F	q	FB min.
	mm	mm	mm	mm	mm	mm	mm	mm	mm	kg/m	N
081 K1	12,7	3,30	7,75	10,50	7,00	4,10	9,00	15,55	1,00	0,35	8 200
1/2"x3/16" VELO K1	12,7	4,88	7,75	10,50	7,00	4,10	9,70	16,30	1,00	0,39	8 400
1/2"x3/16" V.T. K1	12,7	4,88	7,75	11,50	8,90	4,30	11,10	17,10	1,40	0,58	10 500
1/2"x3/16" MOFA K1	12,7	4,88	7,75	11,50	8,90	4,30	11,10	17,10	1,40	0,58	15 750
1/2"x3/16" MOFA K1	12,7	4,88	7,75	11,50	8,90	6,40	11,10	17,10	1,40	0,58	15 750
1/2"x1/4" MOFA K1	12,7	6,40	7,75	11,50	8,90	4,30	11,90	17,90	1,40	0,58	15 750
086 K1	12,7	5,30	8,51	11,50	8,90	4,30	11,50	17,50	1,40	0,70	18 690
12 A-1 K1	19,05	12,70	11,91	17,00	13,45	6,40	20,10	29,10	1,80	1,67	30 345
16 B-1 K1	25,4	17,02	15,88	24,00	20,20	8,40	28,80	37,40	3,00	3,13	65 000
081 K2	12,7	3,30	7,75	10,50	7,00	4,10	9,00	15,55	1,00	0,39	8 200
086 K2	12,7	5,30	8,51	11,50	8,90	4,30	11,50	17,50	1,40	0,79	18 690
16 B-1 K2	25,4	17,02	15,88	24,00	20,20	8,40	28,80	37,40	3,00	3,38	65 000

The plates K1, K2 position must be consulted with producer

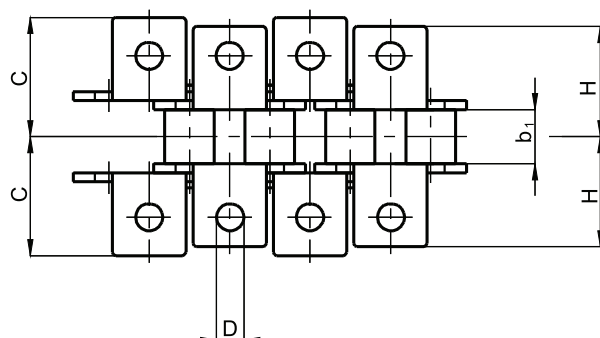
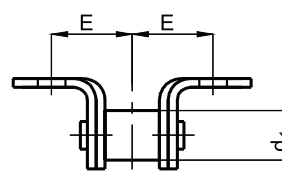
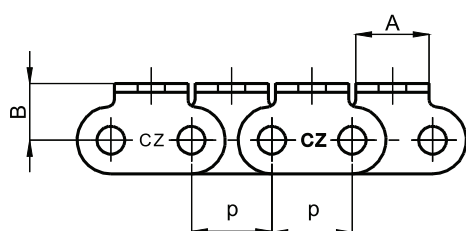
Standard ČZ in stainless steel modification

TRADE MARK ČZ	PITCH	INSIDE WIDTH	ROLLER DIAMETER	DIMENSION	DIMENSION	ATTACHMENT HOLE DIAMETER	DIMENSION	DIMENSION	ATTACHMENT PLATE THICKNESS	WEIGHT	BREAKING LOAD
	p	b1 min.	d1 max.	A	B	D	E	C	F	q	FB min.
	mm	mm	mm	mm	mm	mm	mm	mm	mm	kg/m	N
06 B-1 K1	9,525	5,72	6,35	8,00	6,50	3,20	9,00	13,50	1,00	0,46	5 350
08 B-1 K1	12,7	7,75	8,51	11,50	8,90	4,30	12,70	18,70	1,40	0,79	12 000
10 B-1 K1	15,875	9,65	10,16	14,00	10,30	5,30	15,875	23,87	1,60	1,04	14 200
12 B-1 K1	19,05	11,68	12,07	17,00	13,45	6,40	19,05	28,05	1,80	1,39	18 000
06 B-1 K2	9,525	5,72	6,35	8,00	6,50	3,20	9,00	13,50	1,00	0,51	5 350
08 B-1 K2	12,7	7,75	8,51	11,50	8,90	4,30	12,70	18,70	1,40	0,87	12 000
10 B-1 K2	15,875	9,65	10,16	14,00	10,30	5,30	15,875	23,87	1,60	1,13	14 200
12 B-1 K2	19,05	11,68	12,07	17,00	13,45	6,40	19,05	28,05	1,80	1,53	18 000

The plates K1, K2 position must be consulted with producer

SIMPLEX ROLLER CHAINS WITH ALTERNATELY OUTER AND INNER ATTACHMENTS (ONE SIDE - K1, BOTH SIDERS - K2)

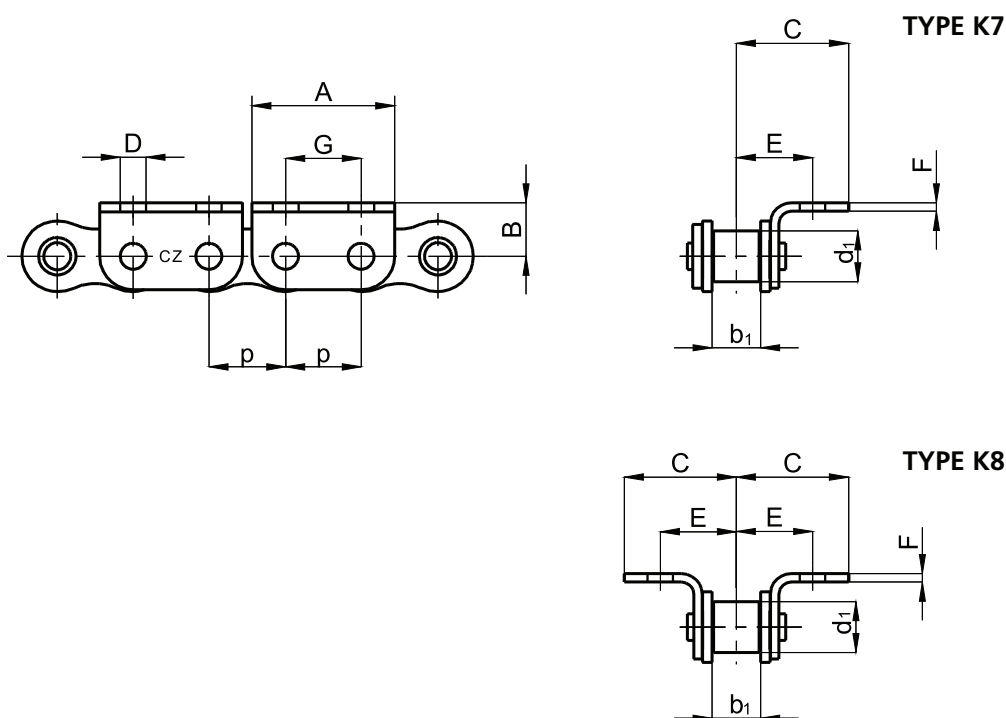
ČZ Standard



TRADE MARK ČZ	PITCH	INSIDE WIDTH	ROLLER DIAMETER	DIMENSION	DIMENSION	ATTACHMENT HOLE DIAMETER	DIMENSION	DIMENSION	DIMENSION	BREAKING LOAD
	p	b1 min.	d1 max.	A	B	D	E	C	H	FB min. N
	mm	mm	mm	mm	mm	mm	mm	mm	mm	
08 B-1	12,7	7,75	8,51	11,50	8,90	4,30	12,70	18,70	18,70	18 690
10 B-1	15,875	9,65	10,16	14,00	10,30	5,30	15,875	23,87	22,375	23 310
12 B-1	19,05	11,68	12,07	17,00	13,45	6,40	19,05	28,05	26,05	30 345

SIMPLEX ROLLER CHAINS WITH ATTACHMENTS K7, K8

ČZ Standard



Standard ČZ in stainless steel modification

TRADE MARK ČZ	PITCH	INSIDE WIDTH	ROLLER DIAMETER	DIMENSION	DIMENSION	ATTACHMENT HOLE DIAMETER	DIMENSION	DIMENSION	ATTACHMENT PLATE THICKNESS	ATTACHMENT HOLES DISTANCE	WEIGHT	BREAKING LOAD
	p	b1 min.	d1 max.	A	B	D	E	C	F	G	q	FB min.
	mm	mm	mm	mm	mm	mm	mm	mm	mm	mm	kg/m	N
06 B-1 K7	9,525	5,72	6,35	17,80	6,50	3,20	9,00	12,20	1,00	9,53	0,45	5 350
08 B-1 K7	12,7	7,75	8,51	24,00	8,90	4,30	12,70	18,70	1,50	12,70	0,84	12 000
10 B-1 K7	15,875	9,65	10,16	28,70	10,30	5,30	15,875	23,87	1,50	15,87	1,10	14 200
12 B-1 K7	19,05	11,68	12,07	34,15	13,45	6,40	19,05	28,05	1,80	19,05	1,30	18 000
06 B-1 K8	9,525	5,72	6,35	17,80	6,50	3,20	9,00	12,20	1,00	9,53	0,50	5 350
08 B-1 K8	12,7	7,75	8,51	24,00	8,90	4,30	12,70	18,70	1,50	12,70	0,99	12 000
10 B-1 K8	15,875	9,65	10,16	28,70	10,30	5,30	15,875	23,87	1,50	15,87	1,30	14 200
12 B-1 K8	19,05	11,68	12,07	34,15	13,45	6,40	19,05	28,05	1,80	19,05	1,90	18 000

The plates K7, K8 position must be consulted with producer

SIMPLEX ROLLER CHAINS WITH ATTACHMENTS K7, K8

ČZ Standard

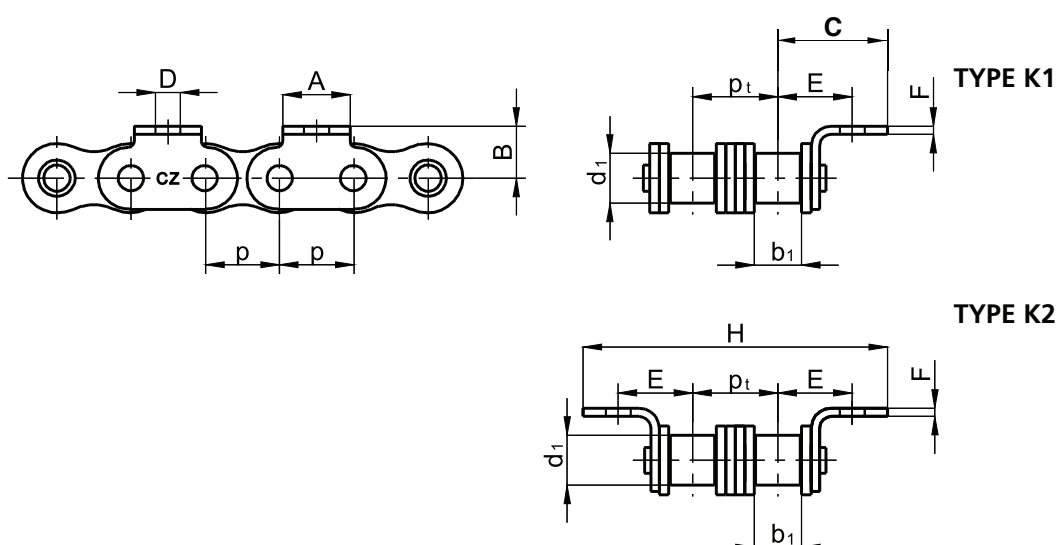
ČZ Standard

TRADE MARK ČZ	PITCH	INSIDE WIDTH	ROLLER DIAMETER	DIMENSION	DIMENSION	ATTACHMENT HOLE DIAMETER	DIMENSION	DIMENSION	ATTACHMENT PLATE THICKNESS	ATTACHMENT HOLES DISTANCE	WEIGHT	BREAKING LOAD
	p	b1 min.	d1 max.	A	B	D	E	C	F	G	q	FB min.
	mm	mm	mm	mm	mm	mm	mm	mm	mm	mm	kg/m	N
06 B-1 K7	9,525	5,72	6,35	17,80	6,50	3,20	9,00	12,20	1,00	9,53	0,45	9 345
086 K7	12,7	5,30	8,51	24,00	8,90	4,30	11,50	17,50	1,50	12,70	0,77	18 690
08 B-1 K7	12,7	7,75	8,51	24,00	8,90	4,30	12,70	18,70	1,50	12,70	0,84	18 690
10 B-1 K7	15,875	9,65	10,16	28,70	10,30	5,30	15,875	23,87	1,50	15,87	1,10	23 310
12 B-1 K7	19,05	11,68	12,07	34,15	13,45	6,40	19,05	28,05	1,80	19,05	1,30	30 345
16 B-1 K7	25,4	17,02	15,88	45,50	20,20	8,40	28,80	37,40	3,00	25,40	3,30	65 000
06 B-1 K8	9,525	5,72	6,35	17,80	6,50	3,20	9,00	12,20	1,00	9,53	0,50	9 345
086 K8	12,7	5,30	8,51	24,00	8,90	4,30	11,50	17,50	1,50	12,70	0,77	18 690
08 B-1 K8	12,7	7,75	8,51	24,00	8,90	4,30	12,70	18,70	1,50	12,70	0,99	18 690
10 B-1 K8	15,875	9,65	10,16	28,70	10,30	5,30	15,875	23,87	1,50	15,87	1,30	23 310
12 B-1 K8	19,05	11,68	12,07	34,15	13,45	6,40	19,05	28,05	1,80	19,05	1,90	30 345
16 B-1 K8	25,4	17,02	15,88	45,50	20,20	8,40	28,80	37,40	3,00	25,40	3,94	65 000

The plates K7, K8 position must be consulted with producer

DUPLEX ROLLER CHAINS WITH ATTACHMENTS K1, K2

ČZ Standard

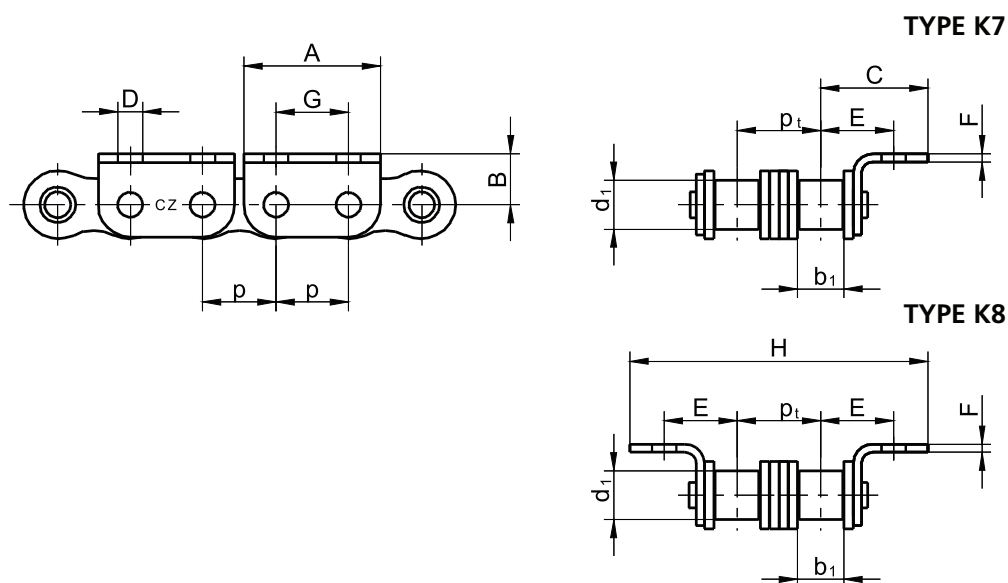


TRADE MARK ČZ	PITCH	INSIDE WIDTH	ROLLER DIAMETER	DIMENSION	DIMENSION	ATTACHMENT HOLE DIAMETER	DIMENSION	DIMENSION	DIMENSION	ATTACHMENT PLATE THICKNESS	TRANSVER. PITCH	BREAKING LOAD
	p	b1 min.	d1 max.	A	B	D	C	E	H	F	pt	FB min.
	mm	mm	mm	mm	mm	mm	mm	mm	mm	mm	mm	N
06 B-2 K1+	9,525	5,72	6,35	8,00	6,50	3,20	13,50	9,00	-	1,00	10,24	17 745
06 B-2 K2+	9,525	5,72	6,35	8,00	6,50	3,20	13,50	9,00	37,24	1,00	10,24	17 745
08 B-2 K1	12,7	7,75	8,51	11,50	8,90	4,30	18,70	12,70	-	1,40	13,92	32 655
08 B-2 K2	12,7	7,75	8,51	11,50	8,90	4,30	18,70	12,70	51,30	1,40	13,92	32 655
10 B-2 K1	15,875	9,65	10,16	14,00	10,30	5,30	23,87	15,875	-	1,50	16,59	46 726
10 B-2 K2	15,875	9,65	10,16	14,00	10,30	5,30	23,87	15,875	64,30	1,50	16,59	46 726
12 B-2 K1	19,05	11,68	12,07	17,00	13,45	6,40	28,05	19,05	-	1,80	19,46	60 690
12 B-2 K2	19,05	11,68	12,07	17,00	13,45	6,40	28,05	19,05	75,60	1,80	19,46	60 690
16 B-2 K1	25,4	17,02	15,88	24,00	20,20	8,40	37,40	28,80	-	3,00	31,88	130 000
16 B-2 K2	25,4	17,02	15,88	24,00	20,20	8,40	37,40	28,80	107,00	3,00	31,88	130 000

+MIDDLE LINK PLATE CONTAINS ONE SOLID PLATE
The plates K1, K2 position must be consulted with producer

DUPLEX ROLLER CHAINS WITH ATTACHMENTS K7, K8

ČZ Standard



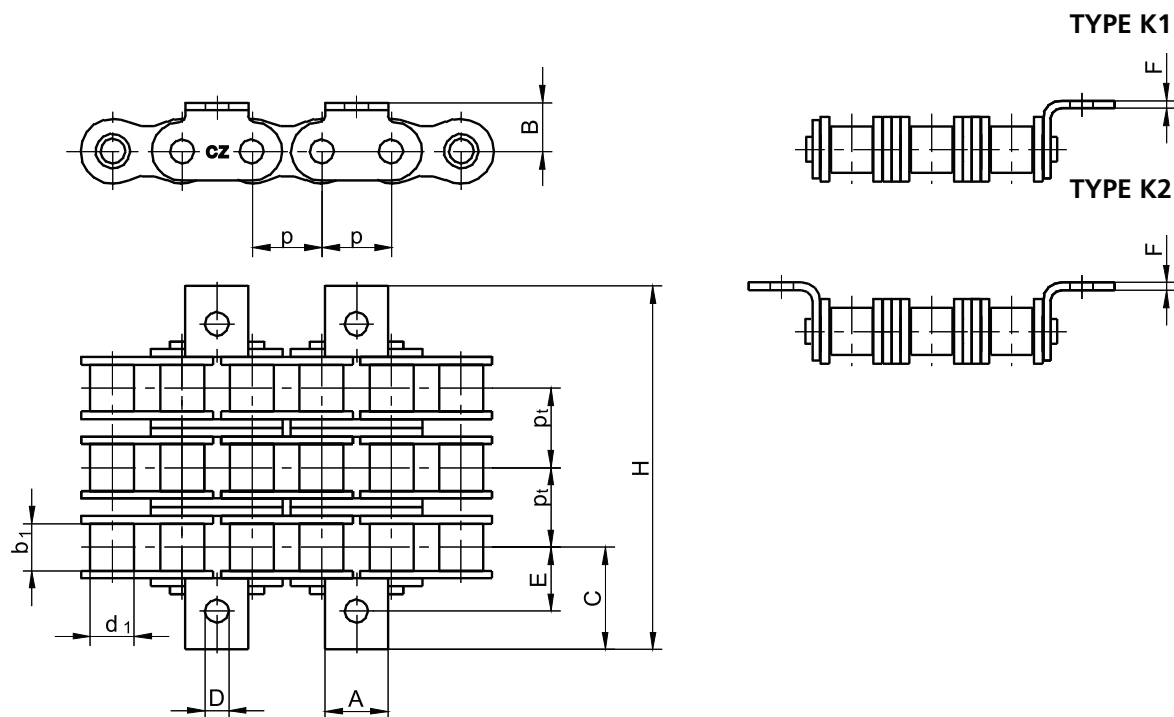
TRADE MARK ČZ	PITCH	INSIDE WIDTH	ROLLER DIAMETER	DIMENSION	DIMENSION	ATTACHMENT HOLE DIAMETER	DIMENSION	DIMENSION	DIMENSION	DIMENSION	ATTACHMENT PLATE THICKNESS	TRANSVER. PITCH	BREAKING LOAD
	p	b1 min.	d1 max.	A	B	D	C	G	E	H	F	pt	FB min.
	mm	mm	mm	mm	mm	mm	mm	mm	mm	mm	mm	mm	N
06 B-2 K7+	9,525	5,72	6,35	17,80	6,50	3,20	12,20	9,53	9,00	-	1,00	10,24	17 745
06 B-2 K8+	9,525	5,72	6,35	17,80	6,50	3,20	12,20	9,53	9,00	34,64	1,00	10,24	17 745
08 B-2 K7	12,7	7,75	8,51	24,00	8,90	4,30	18,70	12,70	12,70	-	1,50	13,92	32 655
08 B-2 K8	12,7	7,75	8,51	24,00	8,90	4,30	18,70	12,70	12,70	51,30	1,50	13,92	32 655
10 B-2 K7	15,875	9,65	10,16	28,70	10,30	5,30	23,87	15,87	15,875	-	1,50	16,59	46 726
10 B-2 K8	15,875	9,65	10,16	28,70	10,30	5,30	23,87	15,87	15,875	64,30	1,50	16,59	46 726
12 B-2 K7	19,05	11,68	12,07	34,15	13,45	6,40	28,05	19,05	19,05	-	1,80	19,46	60 690
12 B-2 K8	19,05	11,68	12,07	34,15	13,45	6,40	28,05	19,05	19,05	75,60	1,80	19,46	60 690
16 B-2 K7	25,4	17,02	15,88	45,50	20,20	8,40	37,40	25,40	28,80	-	3,00	31,88	130 000
16 B-2 K8	25,4	17,02	15,88	45,50	20,20	8,40	37,40	25,40	28,80	107,00	3,00	31,88	130 000

+ONLY WITH ONE MIDDLE PLATE

The plates K7, K8 position must be consulted with producer

TRIPLEX ROLLER CHAINS WITH ATTACHMENTS K1, K2

ČZ Standard

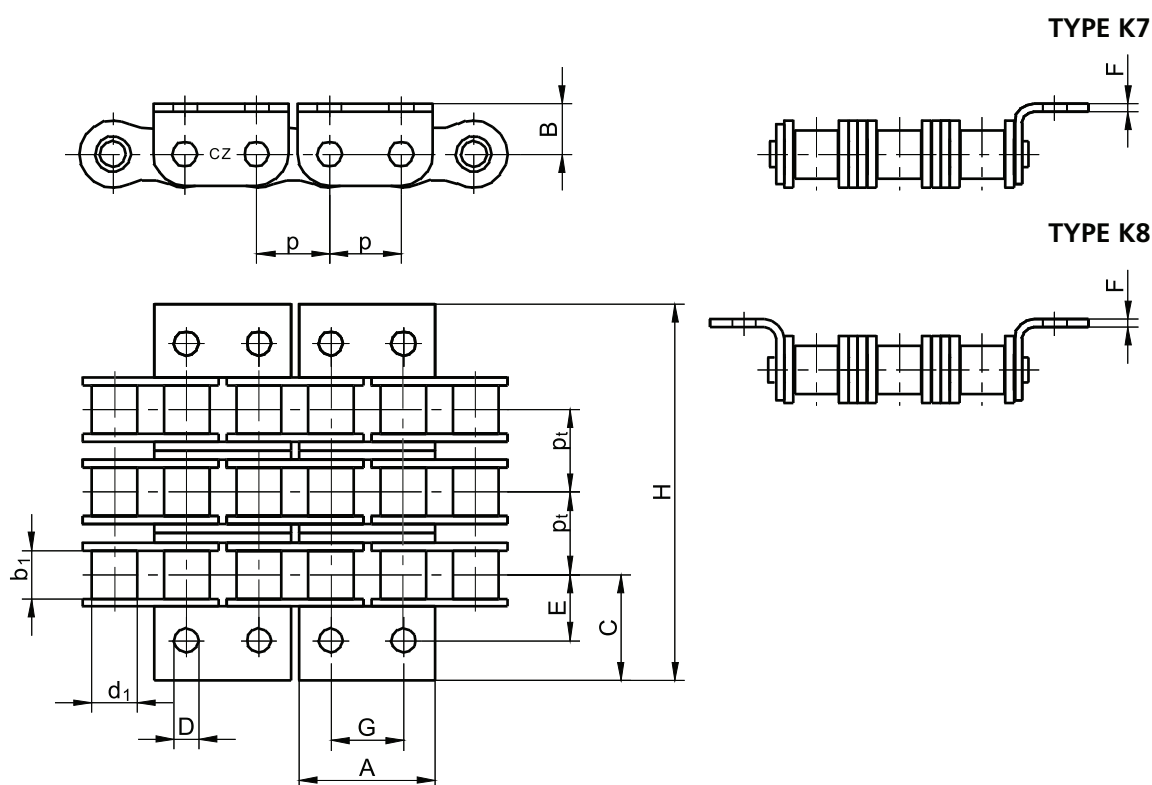


TRADE MARK ČZ	PITCH	INSIDE WIDTH	ROLLER DIAMETER	DIMENSION	DIMENSION	ATTACHMENT HOLE DIAMETER	DIMENSION	DIMENSION	DIMENSION	ATTACHMENT PLATE THICKNESS	TRANSVER. PITCH	BREAKING LOAD
	p	b1 min.	d1 max.	A	B	D	C	E	H	F	pt	FB min.
	mm	mm	mm	mm	mm	mm	mm	mm	mm	mm	mm	N
06 B-3 K1+	9,525	5,72	6,35	8,00	6,50	3,20	13,50	9,00	-	1,00	10,24	26 145
06 B-3 K2+	9,525	5,72	6,35	8,00	6,50	3,20	13,50	9,00	47,50	1,00	10,24	26 145
08 B-3 K1	12,7	7,75	8,51	11,50	8,90	4,30	18,70	12,70	-	1,40	13,92	46 725
08 B-3 K2	12,7	7,75	8,51	11,50	8,90	4,30	18,70	12,70	65,25	1,40	13,92	46 725
10 B-3 K1	15,875	9,65	10,16	14,00	10,30	5,30	23,87	15,875	-	1,50	16,59	70 035
10 B-3 K2	15,875	9,65	10,16	14,00	10,30	5,30	23,87	15,875	80,90	1,50	16,59	70 035
12 B-3 K1	19,05	11,68	12,07	17,00	13,45	6,40	28,05	19,05	-	1,80	19,46	91 035
12 B-3 K2	19,05	11,68	12,07	17,00	13,45	6,40	28,05	19,05	95,00	1,80	19,46	91 035
16 B-3 K1	25,4	17,02	15,88	24,00	20,20	8,40	36,60	28,00	-	3,00	31,88	195 000
16 B-3 K2	25,4	17,02	15,88	24,00	20,20	8,40	36,60	28,00	137,00	3,00	31,88	195 000

+MIDDLE LINK PLATE CONTAINS ONE SOLID PLATE
The plates K1, K2 position must be consulted with producer

TRIPLEX ROLLER CHAINS WITH ATTACHMENTS K7, K8

ČZ Standard

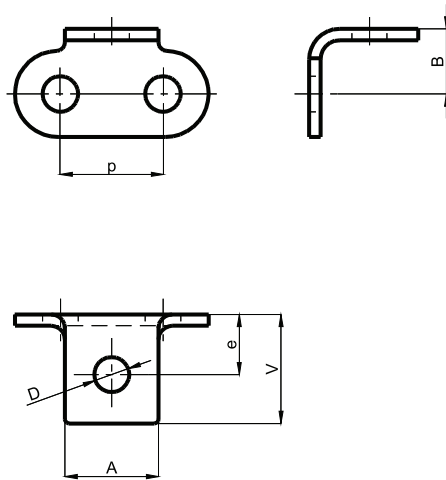


TRADE MARK CZ	PITCH	INSIDE WIDTH	ROLLER DIAMETER	DIMENSION	DIMENSION	ATTACHMENT HOLE DIAMETER	DIMENSION	DIMENSION	DIMENSION	DIMENSION	ATTACHMENT PLATE THICKNESS	TRANSVER. PITCH	BREAKING LOAD
	p	b1 min.	d1 max.	A	B	D	C	G	E	H	F	pt	FB min.
	mm	mm	mm	mm	mm	mm	mm	mm	mm	mm	mm	mm	N
08 B-3 K7	12,7	7,75	8,51	24,00	8,90	4,30	18,70	12,70	12,70	-	1,50	13,92	46 725
08 B-3 K8	12,7	7,75	8,51	24,00	8,90	4,30	18,70	12,70	12,70	65,25	50,40	13,92	46 725
10 B-3 K7	15,875	9,65	10,16	28,70	10,30	5,30	23,87	15,87	15,875	-	1,50	16,59	70 035
10 B-3 K8	15,875	9,65	10,16	28,70	10,30	5,30	23,87	15,87	15,875	80,90	1,50	16,59	70 035
12 B-3 K7	19,05	11,68	12,07	34,15	13,45	6,40	28,05	19,05	19,05	-	1,80	19,46	91 035
12 B-3 K8	19,05	11,68	12,07	34,15	13,45	6,40	28,05	19,05	19,05	95,00	1,80	19,46	91 035
16 B-3 K7	25,4	17,02	15,88	45,50	20,20	8,40	36,60	25,40	28,00	-	3,00	31,88	195 000
16 B-3 K8	25,4	17,02	15,88	45,50	20,20	8,40	36,60	25,40	28,00	137,00	3,00	31,88	195 000

The plates K7, K8 position must be consulted with producer

ATTACHMENTS

ČZ Standard



FOR CHAIN	NOMINAL PITCH	DIMENSION	DIMENSION	DIMENSION	DIMENSION	DIMENSION	PLATE
	p	A	B	D	e	V	
06 B	9,525	8,00	6,50	4,50	4,30	8,80	outer
06 B	9,525	8,00	6,50	4,50	4,30	8,80	connecting
08 B	12,7	11,50	8,90	3,30	7,00	13,00	outer
08 B	12,7	11,50	8,90	3,30	7,00	13,00	inner
08 A	12,7	11,50	8,90	4,30	8,80	14,80	inner
08 B	12,7	11,50	8,00	4,30	7,40	13,40	outer
08 B	12,7	11,50	8,90	4,30	8,30	13,00	outer
08 B	12,7	11,50	8,90	4,30	8,30	13,00	connecting
08 B	12,7	11,50	8,90	4,30	8,80	14,80	inner
08 B	12,7	11,50	8,90	4,30	8,80	13,00	outer
08 B	12,7	11,50	8,90	4,30	8,80	13,00	connecting
08 B	12,7	11,50	8,90	4,55	7,40	13,00	outer
08 B	12,7	11,50	8,90	5,00	7,00	13,00	outer
08 B	12,7	11,50	8,90	5,30	7,00	13,00	outer
08 B	12,7	11,50	8,90	5,30	7,00	13,00	connecting
08 B	12,7	11,50	8,90	6,40	7,00	13,00	outer
10 B	15,875	14,00	10,30	4,00	9,20	17,20	outer
10 B	15,875	14,00	10,10	4,30	5,80	16,80	outer

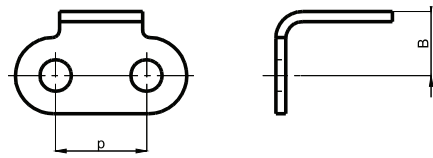
ATTACHMENTS

ČZ Standard

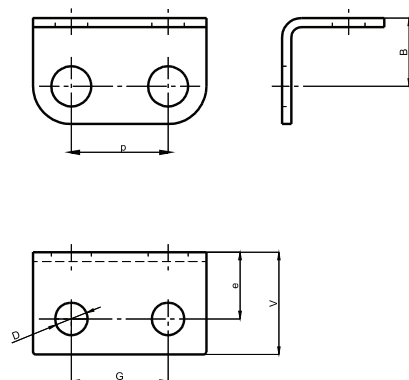
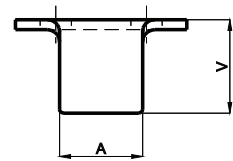
FOR CHAIN	NOMINAL PITCH	DIMENSION	DIMENSION	DIMENSION	DIMENSION	DIMENSION	PLATE
	p	A	B	D	e	V	
10 B	15,875	14,00	10,10	5,20	7,80	14,70	outer
10 B	15,875	14,00	10,10	5,20	7,80	14,70	connecting
10 B	15,875	14,00	10,30	5,30	10,95	18,95	inner
10 B	15,875	14,00	10,30	6,40	10,95	18,95	inner
10 B	15,875	14,00	10,30	6,40	9,20	17,20	outer
10 B	15,875	14,00	10,30	6,40	9,20	17,20	connecting
10 B	15,875	14,00	10,30	7,55	9,20	17,20	outer
For riveting nut ANCHOR MINARB BN 197 M6 for the plate thickness 0,5 – 1,6 mm							
10 B	15,875	14,00	10,30	7,55	9,20	17,20	connecting
For riveting nut ANCHOR MINARB BN 197 M6 for the plate thickness 0,5 – 1,6 mm							
10 B	15,875	14,00	11,20	5,30	8,20	16,20	outer
10 B	15,875	14,00	11,20	5,30	8,20	16,20	connecting
12 A	19,05	15,70	12,20	5,60	10,30	18,20	outer
12 B	19,05	17,00	13,45	5,64	11,10	20,10	outer
12 B	19,05	17,00	13,45	6,01	11,10	20,10	outer
12 B	19,05	17,00	13,45	6,40	9,60	20,10	outer
12 B	19,05	17,00	13,45	6,40	11,50	20,10	inner
12 B	19,05	17,00	13,45	6,40	13,10	20,10	inner
12 B	19,05	17,00	13,45	9,46	11,10	20,10	outer
For riveting nut ANCHOR MINARB BN 197 M6 for the plate thickness 1,7 - 2,4 mm							
12 B	19,05	17,00	13,45	9,46	11,10	20,10	connecting
For riveting nut ANCHOR MINARB BN 197 M6 for the plate thickness 1,7 - 2,4 mm							
16 B	25,4	24,00	17,00	8,40	16,20	25,60	outer
16 B	25,4	24,00	17,00	8,40	16,20	25,60	connecting
16 B	25,4	24,00	18,00	8,40	16,20	24,60	outer
16 B	25,4	24,00	18,00	8,40	16,20	24,60	connecting
16 B	25,4	24,00	18,00	9,00	16,20	24,60	outer
16 B	25,4	24,00	18,00	9,00	16,20	24,60	connecting
16 B	25,4	24,00	20,20	8,40	13,70	24,60	outer
16 B	25,4	24,00	20,20	8,40	13,70	24,60	connecting
16 B	25,4	24,00	20,20	10,20	16,00	24,60	outer
16 B	25,4	24,00	20,20	10,20	16,00	24,60	connecting

ATTACHMENTS

ČZ Standard



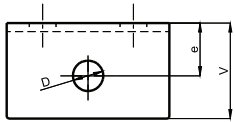
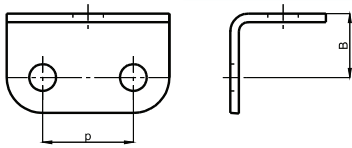
FOR CHAIN	NOMINAL PITCH	DIMENSION	DIMENSION	DIMENSION	PLATE
	p	A	B	V	
08 B	12,70	11,50	8,90	13,00	outer
08 B	12,70	11,50	8,90	13,00	connecting
12 B	19,05	17,00	13,45	20,10	outer



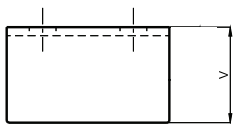
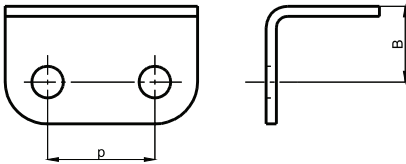
FOR CHAIN	NOMINAL PITCH	DIMENSION	DIMENSION	DIMENSION	DIMENSION	DIMENSION	PLATE
	p	B	D	e	G	V	
08 B	12,7	8,50	4,30	8,10	12,70	13,30	outer
08 B	12,7	8,50	4,30	9,90	12,70	13,30	inner
08 B	12,7	8,90	4,30	13,10	12,70	19,10	outer
10 B	15,875	10,30	5,30	10,95	15,88	17,45	outer
10 B	15,875	10,30	5,30	10,95	15,88	17,45	connecting
12 B	19,05	11,80	6,40	9,60	19,05	17,00	outer
12 B	19,05	11,80	6,40	13,60	19,05	22,60	outer
12 B	19,05	13,45	5,30	11,10	19,05	17,30	outer
12 B	19,05	13,45	6,40	13,10	19,05	20,10	inner

ATTACHMENTS

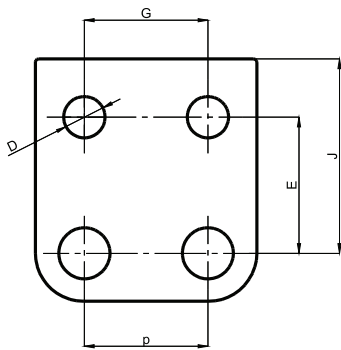
ČZ Standard



FOR CHAIN	NOMINAL PITCH	DIMENSION	DIMENSION	DIMENSION	DIMENSION	PLATE
	p	B	D	e	V	
08 B	12,7	8,90	6,40	8,30	13,00	outer
08 B	12,7	8,90	6,40	8,30	13,00	connecting
10 B	15,875	10,30	5,30	9,20	17,20	outer
12 B	19,05	13,45	6,40	11,10	20,10	outer
12 B	19,05	13,45	6,40	11,10	20,10	connecting
16 B	25,4	20,20	8,20	16,00	24,60	outer



FOR CHAIN	NOMINAL PITCH	DIMENSION	DIMENSION	PLATE
	p	B	V	
06 B	9,525	6,50	7,90	outer
08 B	12,7	8,90	13,00	outer
08 B	12,7	8,90	13,00	connecting
08 B	12,7	8,90	19,10	outer
12 B	19,05	13,45	20,10	outer



FOR CHAIN	NOMINAL PITCH	DIMENSION	DIMENSION	DIMENSION	DIMENSION	PLATE
	p	D	E	G	J	
06 B	9,525	3,20	9,10	9,41	12,30	outer
06 B	9,525	3,20	9,10	9,41	12,30	connecting
08 B	12,7	4,30	13,80	12,70	19,00	outer
08 B	12,7	4,30	15,60	12,70	19,00	inner
10 B	15,875	5,30	16,25	15,87	24,25	inner
10 B	15,875	5,30	17,75	15,88	24,25	outer
10 B	15,875	5,30	17,75	15,88	24,25	connecting
12 B	19,05	5,30	21,00	19,05	27,20	outer
12 B	19,05	5,64	21,00	19,05	30,00	outer
12 B	19,05	6,40	21,00	19,05	30,00	inner
12 B	19,05	6,40	23,00	19,05	30,00	inner