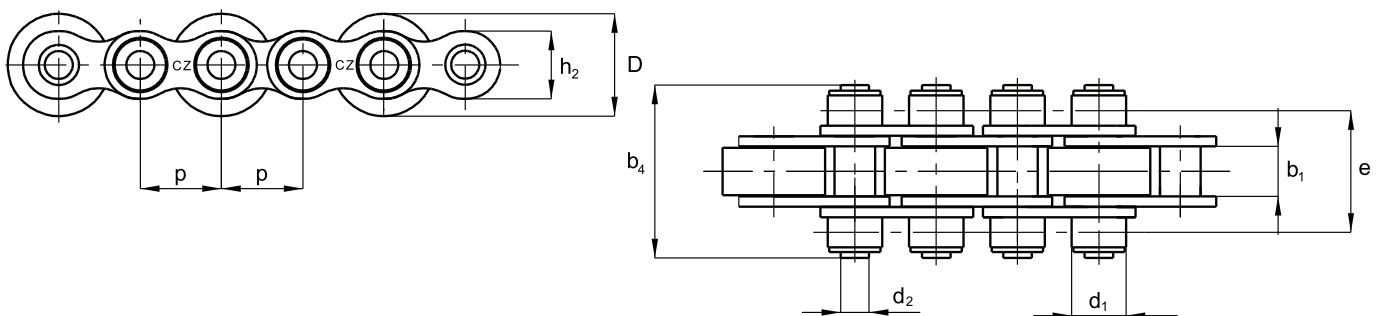




CONVEYOR CHAINS WITH PLASTIC OR STEEL ROLLERS

Type A



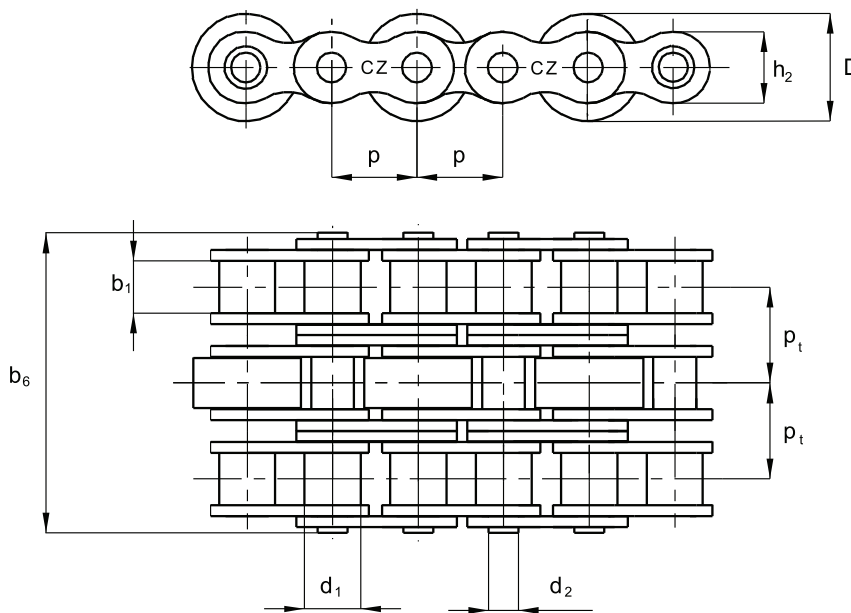
TRADE MARK ČZ	PITCH	INSIDE WIDTH	ROLLER DIAMETER	PIN DIAMETER	PIN LENGTH	INNER PLATE WIDTH	AXIS DISTANCE	CONVEYOR ROLLER DIAMETER	CONVEYOR ROLLER MATERIAL	BREAKING LOAD	CONNECTING ELEMENTS	
											SPECIAL OUTER LINK	SPEC. CON. LINK WITH SAFETY RINGS
	p	b1 min.	d1 max.	d2 max.	b4 max.	h2 max.	e	D		FB min.		
	mm	mm	mm	mm	mm	mm	mm	mm		N		
08 B	12,7	7,75	8,51	4,45	27,00	11,80	19,50	16,00	steel	18 690	•	•
08 B	12,7	7,75	8,51	4,45	27,00	11,80	19,50	16,00	plastic	18 690	•	•
08 B	12,7	7,75	8,51	4,45	27,00	11,80	19,50	18,00	steel	18 690	•	•
08 B	12,7	7,75	8,51	4,45	27,00	11,80	19,50	18,00	plastic	18 690	•	•
12 B	19,05	11,68	11,80	5,72	41,75	16,10	27,90	24,00	steel	30 345	•	•
12 B	19,05	11,68	11,80	5,72	41,75	16,10	27,90	24,00	plastic	30 345	•	•
12 B	19,05	11,68	11,80	5,72	41,75	16,10	27,90	26,00	steel	30 345	•	•
12 B	19,05	11,68	11,80	5,72	41,75	16,10	27,90	28,00	steel	30 345	•	•
12 B	19,05	11,68	11,80	5,72	41,75	16,10	27,90	28,00	plastic	30 345	•	•
12 B	19,05	11,68	12,07	5,72	42,25	16,10	28,10	24,00	steel	30 345	•	•
12 B	19,05	11,68	12,07	5,72	42,25	16,10	28,10	24,00	plastic	30 345	•	•
12 B	19,05	11,68	12,07	5,72	42,25	16,10	28,10	26,00	steel	30 345	•	•
12 B	19,05	11,68	12,07	5,72	42,25	16,10	28,10	28,00	steel	30 345	•	•
12 B	19,05	11,68	12,07	5,72	42,25	16,10	28,10	28,00	plastic	30 345	•	•
12 B	19,05	11,68	12,07	5,72	44,30	16,10	29,10	24,00	steel	30 345	•	•
12 B	19,05	11,68	12,07	5,72	44,30	16,10	29,10	24,00	plastic	30 345	•	•
12 B	19,05	11,68	12,07	5,72	44,30	16,10	29,10	26,00	steel	30 345	•	•
12 B	19,05	11,68	12,07	5,72	44,30	16,10	29,10	28,00	steel	30 345	•	•
12 B	19,05	11,68	12,07	5,72	44,30	16,10	29,10	28,00	plastic	30 345	•	•

Plastic type, must be consulted with producer

Special requests concerning the roller position in the chain can be consulted with producer

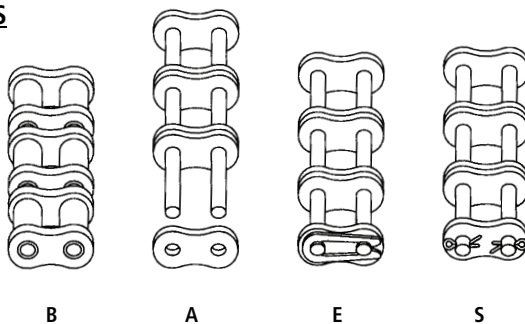
CONVEYOR CHAINS WITH PLASTIC OR STEEL ROLLERS

Type C



TRADE MARK ČZ	PITCH	INSIDE WIDTH	ROLLER DIAMETER	PIN DIAMETER	PIN LENGHT	INNER PLATE WIDTH	TRANSVER. PITCH	CONVEYOR ROLLER DIAMETER	CONVEYOR ROLLER MATERIAL	BREAKING LOAD	CONNECTING ELEMENTS			
											B	A	E	S
	p	b1 min.	d1 max.	d2 max.	b6 max.	h2 max.	Pt	D		FB min.				
	mm	mm	mm	mm	mm	mm	mm	mm		N				
06 B-3+	9,525	5,72	6,35	3,28	32,90	8,20	10,24	14,00	steel	26 145	•	•	•	
06 B-3+	9,525	5,72	6,35	3,28	32,90	8,20	10,24	14,00	plastic	26 145	•	•	•	•
10 B-3	15,875	9,65	10,16	5,08	51,90	14,50	16,59	20,00	steel	70 035	•	•	•	•

CONNECTING ELEMENTS





CONVEYOR CHAINS WITH PLASTIC OR STEEL ROLLERS

Type C

TRADE MARK ČZ	PITCH	INSIDE WIDTH	ROLLER DIAMETER	PIN DIAMETER	PIN LENGHT	INNER PLATE WIDTH	TRANSVER. PITCH	CONVEYOR ROLLER DIAMETER	CONVEYOR ROLLER MATERIAL	BREAKING LOAD	CONNECTING ELEMENTS			
											B	A	E	S
	p	b1 min.	d1 max.	d2 max.	b6 max.	h2 max.	Pt	D		FB min.				
	mm	mm	mm	mm	mm	mm	mm	mm		N				
10 B-3	15,875	9,65	10,16	5,08	51,90	14,50	16,59	20,00	plastic	70 035	•	•	•	•
10 B-3	15,875	9,65	10,16	5,08	51,90	14,50	16,59	18,00	steel	70 035	•	•	•	•
10 B-3	15,875	9,65	10,16	5,08	51,90	14,50	16,59	18,00	plastic	70 035	•	•	•	•
12 B-3	19,05	11,68	12,07	5,72	61,25	16,10	19,46	24,00	steel	91 035	•	•	•	•
12 B-3	19,05	11,68	12,07	5,72	61,25	16,10	19,46	24,00	Cast: PE-UHM PA 6.6 Vestamid L-R7-MHI PA 12	91 035	•	•	•	•
12 B-3	19,05	11,68	12,07	5,72	61,25	16,10	19,46	26,00	steel	91 035	•	•	•	•
12 B-3	19,05	11,68	12,07	5,72	61,25	16,10	19,46	28,00	steel	91 035	•	•	•	•
12 B-3	19,05	11,68	12,07	5,72	61,25	16,10	19,46	28,00	Cast: PE-UHM PA 6.6 Vestamid L-R7-MHI PA 12	91 035	•	•	•	•
16 B-3	25,4	17,02	15,88	8,28	99,10	21,00	31,88	38,50	steel	195 000	•	•	•	•
16 B-3	25,4	17,02	15,88	8,28	99,10	21,00	31,88	38,50	Cast: PE-UHM PA 6.6 Vestamid L-R7-MHI PA 12	195 000	•	•	•	•

+ONLY WITH ONE MEDDLE PLATE

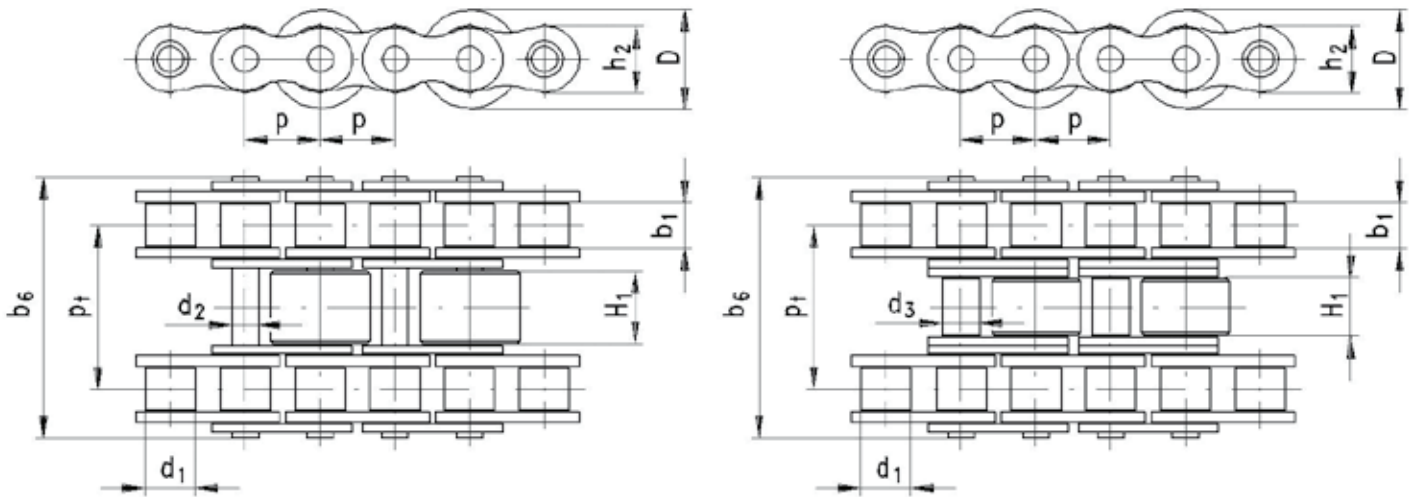
Plastic type must be consulted with producer

Inner links with conveyor rollers are mostly in the middle row of the triplex chain. In case of customer request they can be positioned on the side chain rows - must be consulted with producer

Special request concerning the rollers position in the chain must be consulted with producer

DUPLEX CONVEYOR CHAINS WITH MIDDLE TRANSPORTING ROLLERS

ČZ Standard



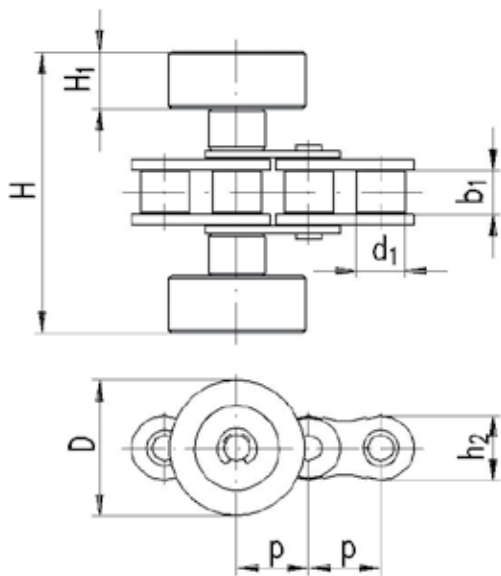
TRADE MARK ČZ	PITCH	INSIDE WIDTH	ROLLER DIAMETER	PIN DIAMETER	BUSH DIAMETER	DIMENSION	INNER PLATE WIDTH	CONVEYOR ROLLER DIAMETER	CONVEYOR ROLLER HEIGHT	TRANSVER. PITCH	CONVEYOR ROLLER MATERIAL	BREAKING LOAD	MODIFICATION	CONNECTING ELEMENTS	
														SPECIAL OUTER LINK	SPEC. CON. LINK WITH SAFETY SPRIG
	p	b1 min.	d1 max.	d2 max.	d3	b6	h2 max.	D	H1	pt		FB min.			
	mm	mm	mm	mm	mm	mm	mm	mm	mm	mm		N			
06 B	9,525	5,72	6,35	3,28	-	32,90	8,10	14,00	8,50	20,48	steel	17 745	"A"	•	•
08 B	12,7	7,75	8,51	4,45	-	44,25	11,60	17,00	12,50	27,84	steel	32 655	"A"	•	•
08 B	12,7	7,75	8,51	4,45	-	44,25	11,60	17,00	12,50	27,84	plastic	32 655	"A"	•	•
12 B	19,05	11,68	12,07	5,72	-	61,25	16,40	28,00	18,80	38,92	steel	60 690	"A"	•	•
12 B	19,05	11,68	12,07	-	8,00	61,25	16,40	28,00	15,60	38,92	steel	91 035	"B"	•	•

Material and position of transporting roller must be consulted with producer

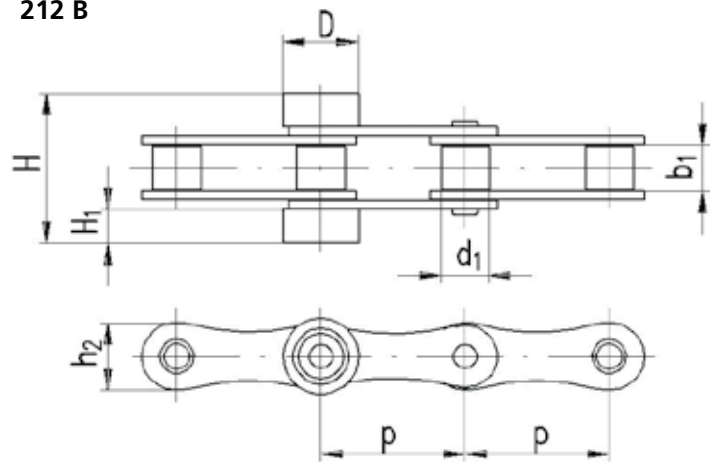
SIMPLEX CONVEYOR CHAINS WITH SIDE TRANSPORTING ROLLERS

ČZ Standard

08 B



212 B



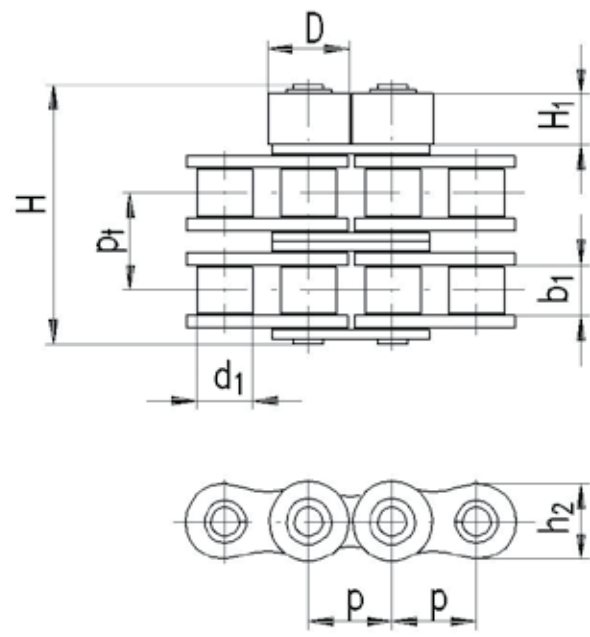
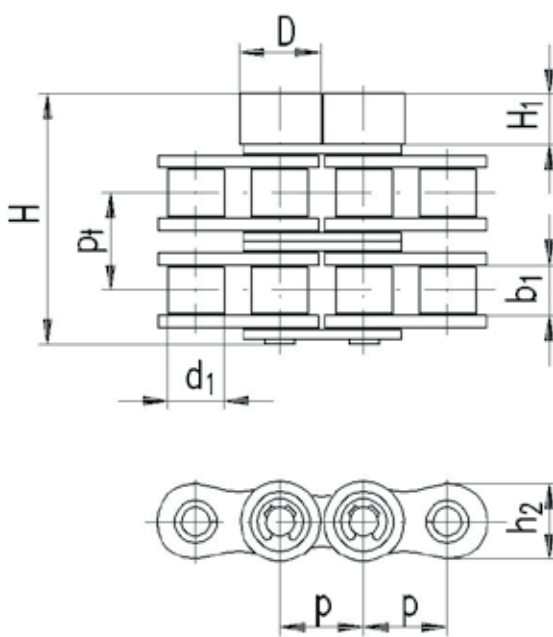
TRADE MARK ČZ	PITCH	INSIDE WIDTH	ROLLER DIAMETER	DIMENSION	INNER PLATE WIDTH	CONVEYOR ROLLER DIAMETER	CONVEYOR ROLLER HEIGHT	CONVEYOR ROLLER MATERIAL	BREAKING LOAD
	p	b1 min.	d1 max.	H	h2 max.	D	H1		FB min.
	mm	mm	mm	mm	mm	mm	mm		N
08 B	12,7	7,75	8,51	49,00	11,60	24,00	10,00	plastic	18 690
212 B	38,1	11,68	12,07	40,00	16,40	20,00	9,00	plastic	30 345

Transporting roller material must be consulted with producer
Transporting roller position in the chain must be consulted with producer

The chain closing with disconnecting elements is possible only if the transporting rollers are not on every outer link. In opposite case is possible to close the chain only by special outer link - riveting connection

DUPLEX CONVEYOR CHAINS WITH ONE SIDE TRANSPORTING ROLLERS

ČZ Standard



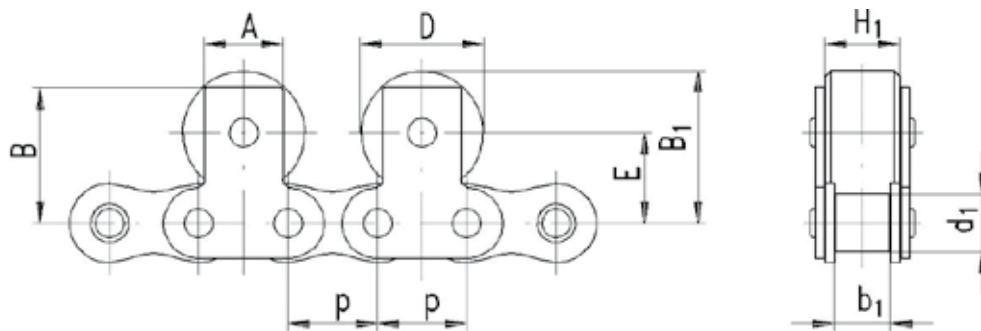
TRADE MARK ČZ	PITCH p	INSIDE WIDTH b1 min.	ROLLER DIAMETER d1 max.	DIMENSION H	INNER PLATE WIDTH h2 max.	CONVEYOR ROLLER DIAMETER D	CONVEYOR ROLLER HEIGHT H1	TRANSVER. PITCH pt	CONVEYOR ROLLER MATERIAL	BREAKING LOAD FB min. N	CONNECTING ELEMENTS	
											SPECIAL OUTER LINK	SPEC. CON. LINK WITH SAFETY SPRING
08 B-2	12,70	7,75	8,51	37,20	12,00	12,30	7,60	13,92	steel	32 655	•	•
12 B-2	19,05	11,68	12,07	55,00	16,40	18,00	11,60	19,46	steel	60 690	•	

It is necessary to consult with producer in case the transporting roller should not be on every pin

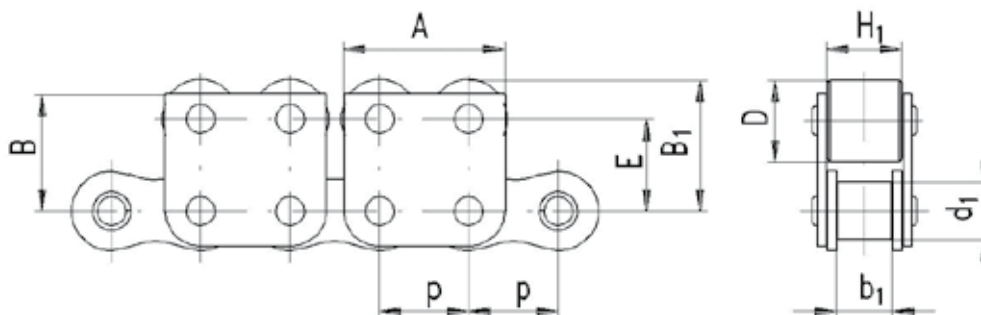
SIMPLEX CONVEYOR CHAINS WITH TRANSPORTING ROLLERS ON THE UPPER ROW WITH SPECIAL ATTACHMENTS M2, M8

ČZ Standard

TYPE M2



TYPE M8

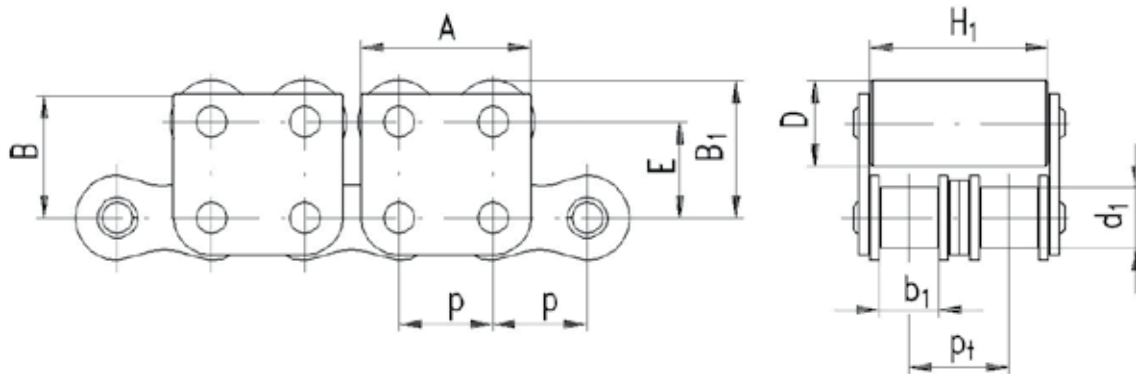


TRADE MARK ČZ	PITCH	INSIDE WIDTH	ROLLER DIAMETER	DIMENSION	DIMENSION	DIMENSION	CONVEYOR ROLLER DIAMETER	DIMENSION	CONVEYOR ROLLER HEIGHT	CONVEYOR ROLLER MATERIAL	BREAKING LOAD	ATTACHMENT TYPE	CONNECTING ELEMENTS		
													SPECIAL OUTER LINK	SPECIAL CONNECTING LINK WITH 2 SAFETY SPRINGS	Special con. link with safety spring and cotter
	p	b1 min.	d1 max.	A	B	B1	D	E	H1 max.		FB min.				
	mm	mm	mm	mm	mm	mm	mm	mm	mm		N				
06 B	9,525	5,72	6,35	17,80	12,30	13,60	9,00	9,10	8,50	steel	9 345	M2	•		•
10 B	15,875	9,65	10,16	14,00	24,00	27,70	22,00	16,70	13,20	steel	23 310	M2	•		•
10 B	15,875	9,65	13,25	28,70	20,85	23,25	14,00	16,25	13,25	steel	23 310	M8	•	•	

Transporting roller position with attachments type M2 or M8 must be consulted with producer

DUPLEX CONVEYOR CHAINS WITH TRANSPORTING ROLLERS ON THE UPPER ROW WITH SPECIAL ATTACHMENTS M8

ČZ Standard

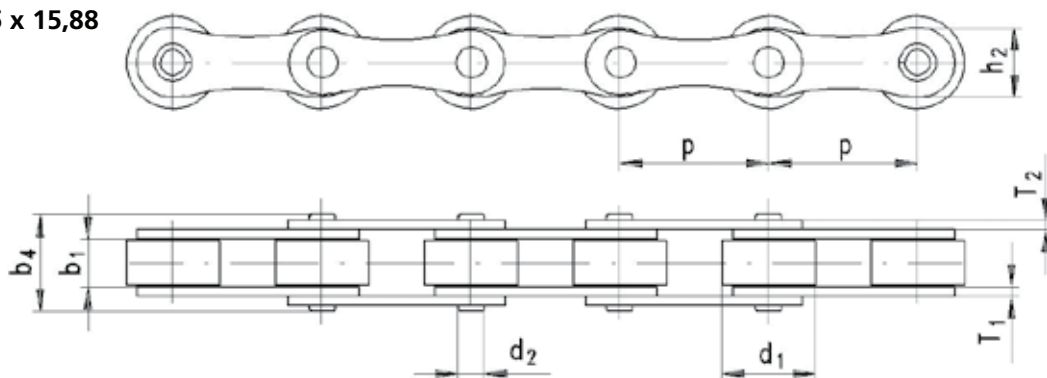


TRADE MARK ČZ	PITCH	INSIDE WIDTH	ROLLER DIAMETER	DIMENSION	DIMENSION	DIMENSION	CONVEYOR ROLLER DIAMETER	DIMENSION	CONVEYOR ROLLER HEIGHT	TRANSVER. PITCH	CONVEYOR ROLLER MATERIAL	BREAKING LOAD	CONNECTING ELEMENTS	
	p	b1 min.	d1 max.	A	B	B1	D	E	H1 max.	pt		FB min.	SPECIAL OUTER LINK	SPECIAL CONNECTING LINK WITH 2 SAFETY SPRINGS
	mm	mm	mm	mm	mm	mm	mm	mm	mm	mm		N		
08 B-2	12,7	7,75	8,51	24,00	17,40	18,90	11,80	13,00	25,20	13,92	steel	32 655	•	•

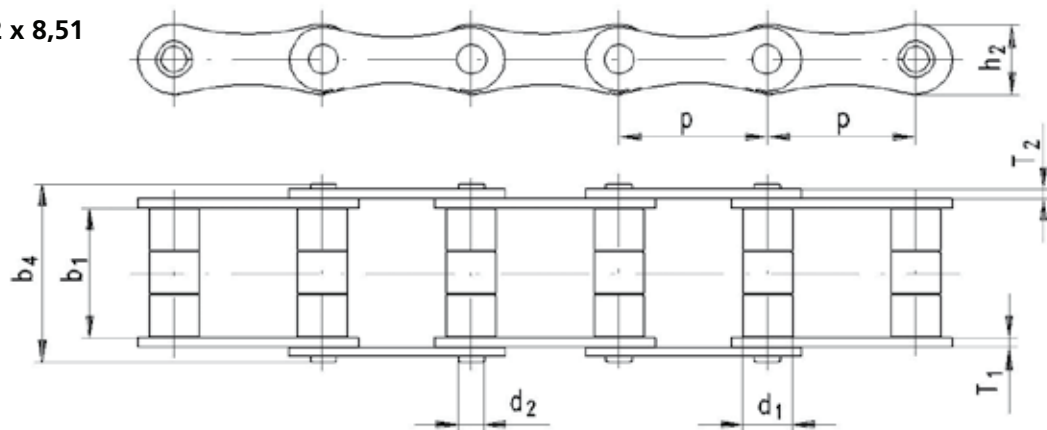
DOUBLE PITCH ATYPICAL ROLLER CHAINS

ČZ Standard

25,4 x 7,75 x 15,88

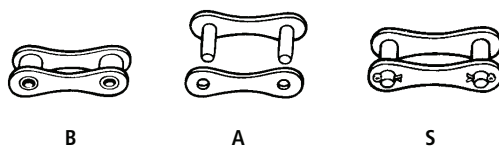


25,4 x 23,2 x 8,51



TRADE MARK ČZ	PITCH	INSIDE WIDTH	ROLLER DIAMETER	PIN DIAMETER	PIN LENGTH	INNER PLATE WIDTH	INNER PLATE THICKNESS	OUTER PLATE THICKNESS	WEIGHT	BREAKING LOAD	CONNECTING ELEMENTS		
											B	A	S
	p	b1 min.	d1 max.	d2 max.	b4 max.	h2 max.	T1	T2	q	FB min.			
	mm	mm	mm	mm	mm	mm	mm	mm	kg/m	N			
25,4x7,75x15,88	25,4	7,75	15,88	4,45	16,40	12,00	1,60	1,50	0,97	18 690	•	•	•
25,4x23,2x8,51	25,4	23,20	8,51	4,45	32,50	12,00	1,60	1,50	0,89	18 690	•	•	•

CONNECTING ELEMENTS



B

A

S