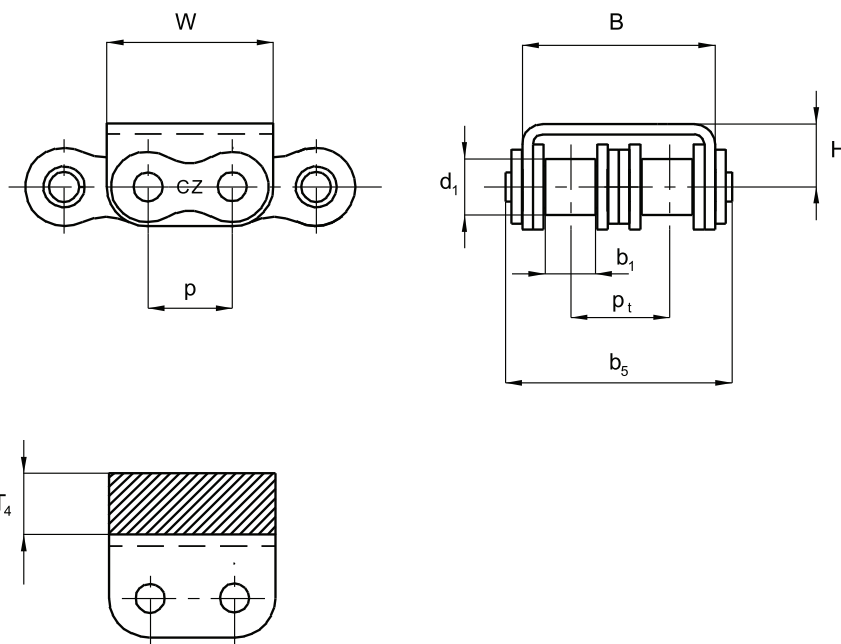


# DUPLEX ROLLER CHAINS WITH U-TYPE ATTACHMENTS DUPLEX ROLLER CHAINS WITH U-TYPE RUBBER ATTACHMENTS

ČZ Standard

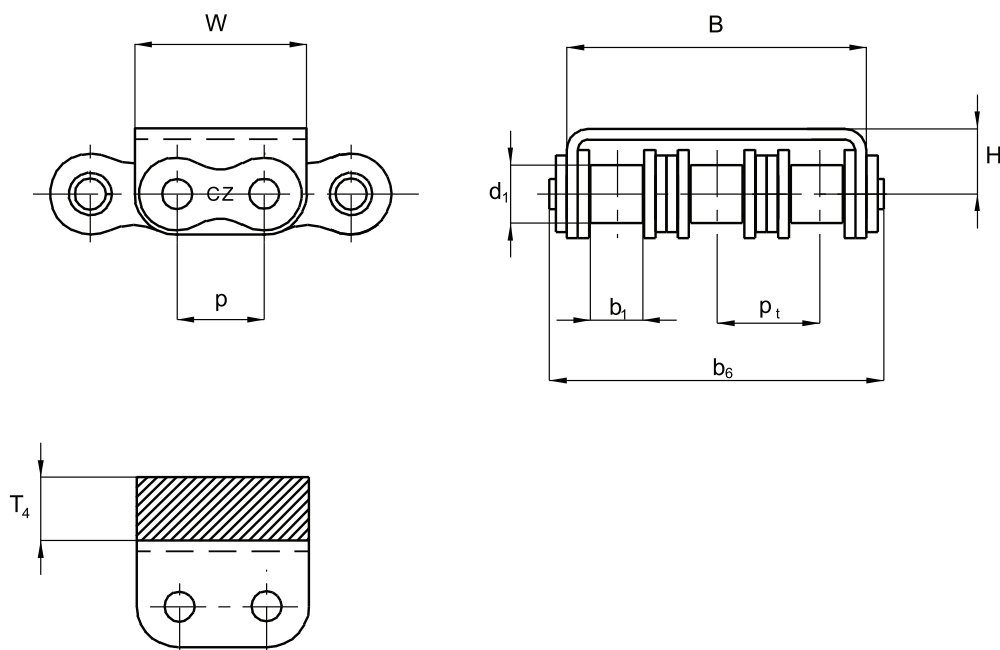


TRADE MARK ČZ	PITCH p	INSIDE WIDTH b1 min.	ROLLER DIAMETER d1 max.	PIN LENGTH b5 max.	PROFILE HEIGHT H	PROFILE WIDTH B	PROFILE LENGTH W	PLASTIC BLOCK THICKNESS T4	TRANSVER. PITCH pt	BREAKING LOAD FB min. N	CONNECTING ELEMENTS	
											SPECIAL OUTER LINK	SPECIAL CONNECTING LINK WITH SAFETY CLIP
08 B-2	12,7	7,75	8,51	33,60	8,90	27,60	24,30	-	13,92	32 655	•	•
12 B-2	19,05	11,68	12,07	45,50	13,45	39,00	35,00	-	19,46	60 690	•	•
12 B-2	19,05	11,68	12,07	45,50	13,45	39,00	35,00	13,50	19,46	60 690	•	•

Plastic type, mechanical properties and other possible requests must be consulted with producer  
The U-Type attachment can be positioned on any other chain link - must be consulted with producer

# TRIPLEX ROLLER CHAINS WITH U-TYPE ATTACHMENTS TRIPLEX ROLLER CHAINS WITH U-TYPE RUBBER ATTACHMENTS

ČZ Standard



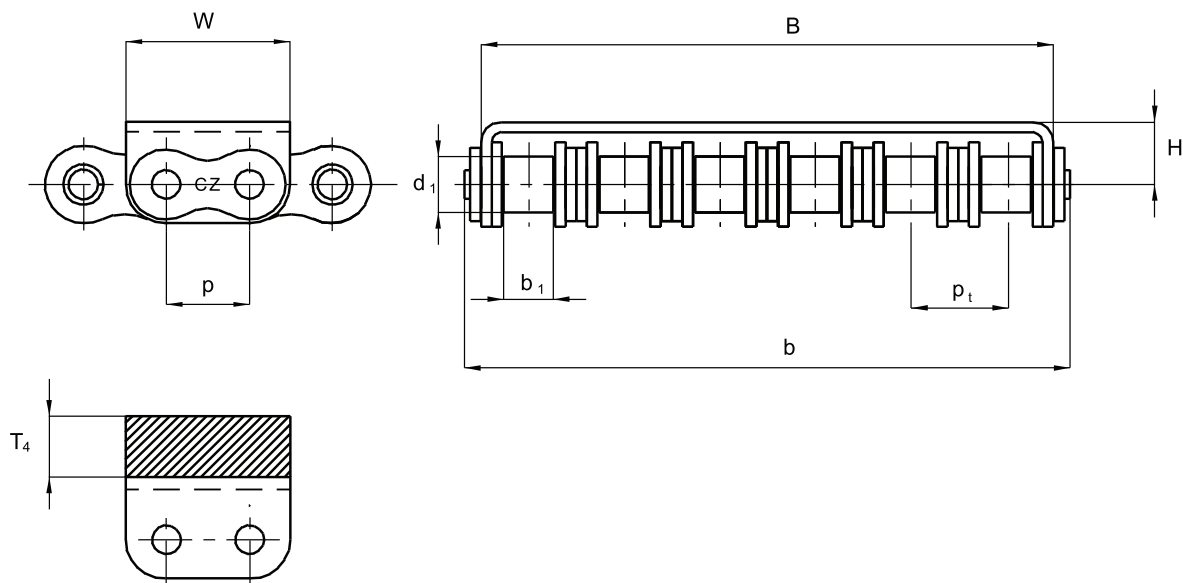
TRADE MARK ČZ	PITCH	INSIDE WIDTH	ROLLER DIAMETER	PIN LENGTH	PROFILE HEIGHT	PROFILE WIDTH	PROFILE LENGTH	PLASTIC BLOCK THICKNESS	TRANSVER. PITCH	BREAKING LOAD	CONNECTING ELEMENTS	
	p	b1 min.	d1 max.	b6 max.	H	B	W	T4	pt	FB min.	SPECIAL OUTER LINK	SPECIAL CONNECTING LINK WITH SAFETY CLIP
	mm	mm	mm	mm	mm	mm	mm	mm	mm	N		
08 B-3	12,7	7,75	8,51	48,60	10,00	43,40	24,20	-	13,92	46 725	•	•
08 B-3	12,7	7,75	8,51	48,60	10,00	43,40	24,20	5,50	13,92	46 725	•	•

Plastic type, mechanical properties and other possible requests must be consulted with producer  
The U-Type attachment can be positioned on any other chain link - must be consulted with producer

# 6-ROW ROLLER CHAINS WITH U-TYPE ATTACHMENTS

# 6-ROW ROLLER CHAINS WITH U-TYPE RUBBER ATTACHMENTS

ČZ Standard



TRADE MARK ČZ	PITCH	INSIDE WIDTH	ROLLER DIAMETER	PIN LENGTH	PROFILE HEIGHT	PROFILE WIDTH	PROFILE LENGTH	PLASTIC BLOCK THICKNESS	TRANSVER. PITCH	BREAKING LOAD	CONNECTING ELEMENTS	
											SPECIAL OUTER LINK	SPECIAL CONNECTING LINK WITH SAFETY CLIP
	p	b1 min.	d1 max.	b max.	H	B	W	T4	pt	FB min.	•	•
	mm	mm	mm	mm	mm	mm	mm	mm	mm	N		
08 B-6	12,7	7,75	8,51	89,40	12,70	84,00	24,30	-	13,92	112 000	•	•
08 B-6	12,7	7,75	8,51	89,40	12,70	84,00	24,30	2,80	13,92	112 000	•	•

Plastic type, mechanical properties and other possible requests must be consulted with producer  
The U-Type attachment can be positioned on any other chain link - must be consulted with producer