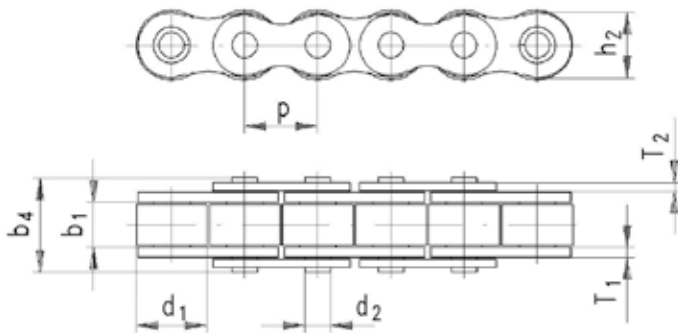


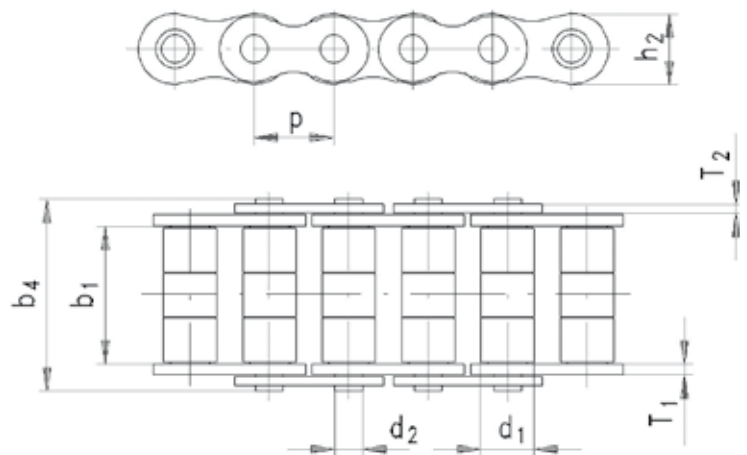
## ATYPICAL ROLLER CHAINS

ČZ Standard

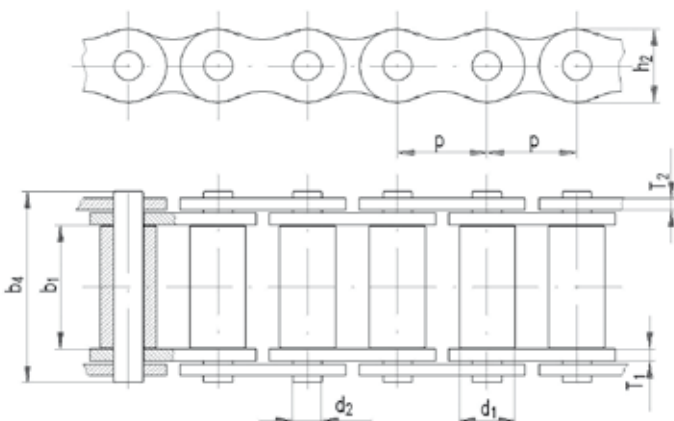
12,7 x 7,75 x 12,3



12,7 x 23,2 x 8,51



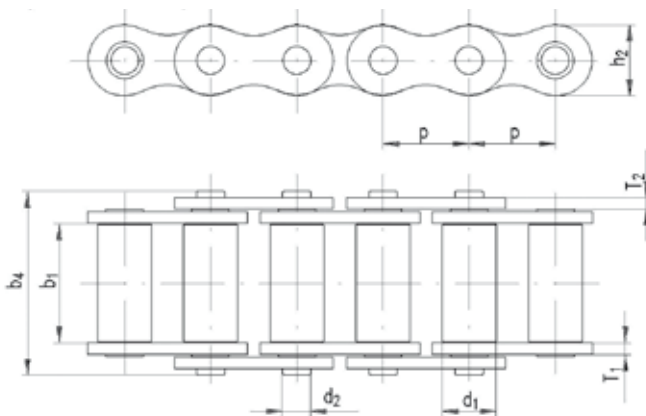
19,05 x 31,4 x 12



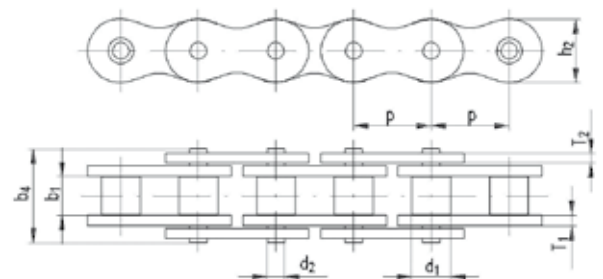
## ATYPICAL ROLLER CHAINS

ČZ Standard

19,05 x 20,68 x 12,07  
25,4 x 35 x 15,88



25,4 x 12,7 x 12,7



TRADE MARK ČZ	PITCH	INSIDE WIDTH	ROLLER DIAMETER	PIN DIAMETER	PIN LENGHT	INNER PLATE WIDTH	INNER PLATE THICKNESS	OUTER PLATE THICKNESS	WEIGHT	BREAKING LOAD	CONNECTING ELEMENTS			
											B	A	E	S
	p	b1 min.	d1 max.	d2 max.	b4 max.	h2 max.	T1	T2	q	FB min.				
	mm	mm	mm	mm	mm	mm	mm	mm	kg/m	N				
12,7 x 7,75 x 12,3	12,7	7,75	12,30	4,45	16,40	11,80	1,60	1,40	1,01	18 690	.	.	.	.
12,7 x 23,2 x 8,51	12,7	23,20	8,51	4,45	32,50	11,80	1,60	1,40	1,24	18 690	.	.	.	
19,05 x 31,4 x 12	19,05	31,40	12,00	5,72	41,70	16,10	1,80	1,80	3,25	30 345		.		
19,05 x 20,68 x 12,07	19,05	20,68	12,07	5,72	31,00	16,10	1,80	1,80	1,68	30 345	.	.	.	
25,4 x 35 x 15,88	25,4	35,00	15,88	8,28	54,00	21,00	3,50	3,00	3,80	75 000	.	.	.	
25,4 x 12,7 x 12,7	25,4	12,70	12,70	5,94	28,85	19,40	3,00	3,00	3,08	40 000	.	.		

### CONNECTING ELEMENTS



B

A

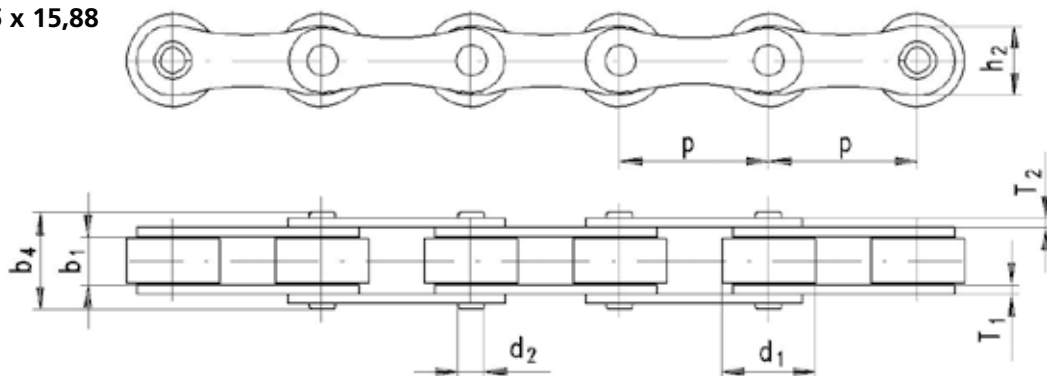
E

S

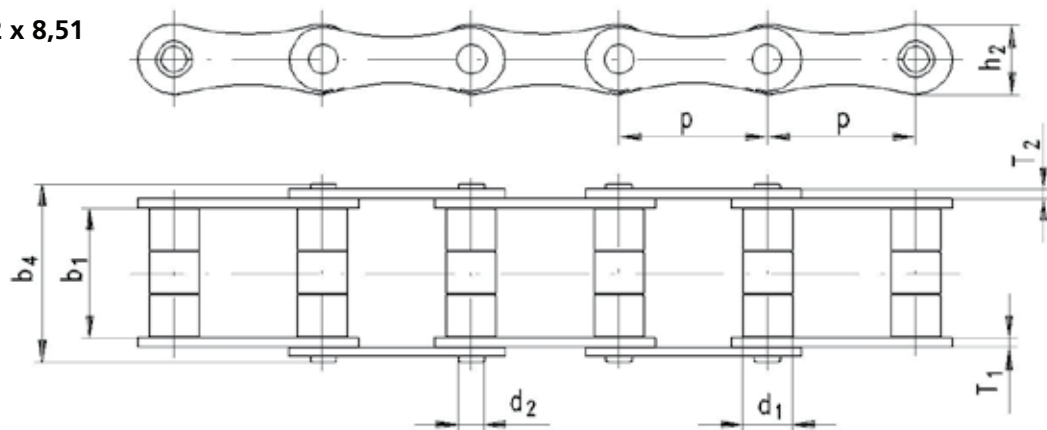
## DOUBLE PITCH ATYPICAL ROLLER CHAINS

ČZ Standard

25,4 x 7,75 x 15,88

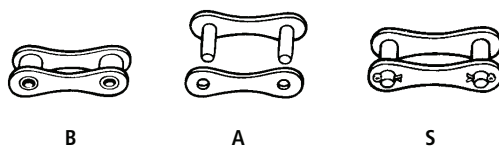


25,4 x 23,2 x 8,51



TRADE MARK ČZ	PITCH	INSIDE WIDTH	ROLLER DIAMETER	PIN DIAMETER	PIN LENGTH	INNER PLATE WIDTH	INNER PLATE THICKNESS	OUTER PLATE THICKNESS	WEIGHT	BREAKING LOAD	CONNECTING ELEMENTS		
											B	A	S
	p	b1 min.	d1 max.	d2 max.	b4 max.	h2 max.	T1	T2	q	FB min.			
	mm	mm	mm	mm	mm	mm	mm	mm	kg/m	N			
25,4x7,75x15,88	25,4	7,75	15,88	4,45	16,40	12,00	1,60	1,50	0,97	18 690	•	•	•
25,4x23,2x8,51	25,4	23,20	8,51	4,45	32,50	12,00	1,60	1,50	0,89	18 690	•	•	•

### CONNECTING ELEMENTS



B

A

S