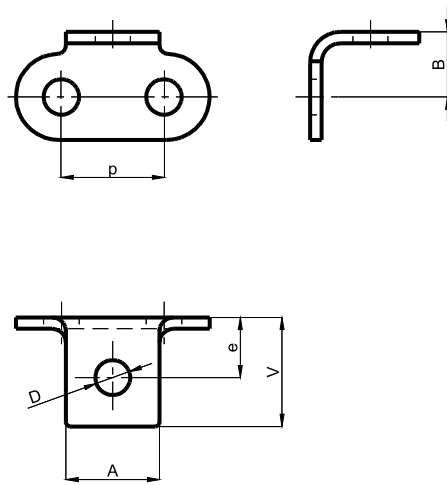


ATTACHMENTS

ČZ Standard



FOR CHAIN	NOMINAL PITCH	DIMENSION	DIMENSION	DIMENSION	DIMENSION	DIMENSION	PLATE
	p	A	B	D	e	V	
06 B	9,525	8,00	6,50	4,50	4,30	8,80	outer
06 B	9,525	8,00	6,50	4,50	4,30	8,80	connecting
08 B	12,7	11,50	8,90	3,30	7,00	13,00	outer
08 B	12,7	11,50	8,90	3,30	7,00	13,00	inner
08 A	12,7	11,50	8,90	4,30	8,80	14,80	inner
08 B	12,7	11,50	8,00	4,30	7,40	13,40	outer
08 B	12,7	11,50	8,90	4,30	8,30	13,00	outer
08 B	12,7	11,50	8,90	4,30	8,30	13,00	connecting
08 B	12,7	11,50	8,90	4,30	8,80	14,80	inner
08 B	12,7	11,50	8,90	4,30	8,80	13,00	outer
08 B	12,7	11,50	8,90	4,30	8,80	13,00	connecting
08 B	12,7	11,50	8,90	4,55	7,40	13,00	outer
08 B	12,7	11,50	8,90	5,00	7,00	13,00	outer
08 B	12,7	11,50	8,90	5,30	7,00	13,00	outer
08 B	12,7	11,50	8,90	5,30	7,00	13,00	connecting
08 B	12,7	11,50	8,90	6,40	7,00	13,00	outer
10 B	15,875	14,00	10,30	4,00	9,20	17,20	outer
10 B	15,875	14,00	10,10	4,30	5,80	16,80	outer

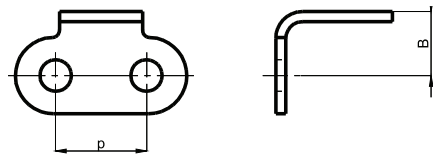
ATTACHMENTS

ČZ Standard

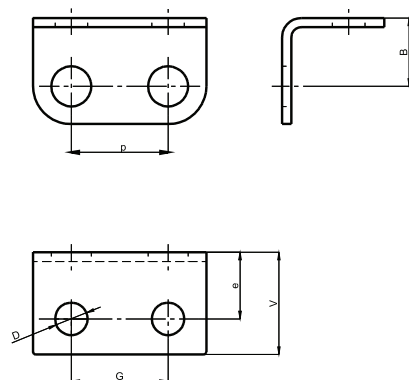
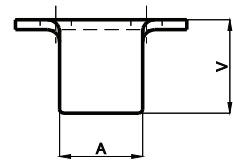
FOR CHAIN	NOMINAL PITCH	DIMENSION	DIMENSION	DIMENSION	DIMENSION	DIMENSION	PLATE
	p	A	B	D	e	V	
10 B	15,875	14,00	10,10	5,20	7,80	14,70	outer
10 B	15,875	14,00	10,10	5,20	7,80	14,70	connecting
10 B	15,875	14,00	10,30	5,30	10,95	18,95	inner
10 B	15,875	14,00	10,30	6,40	10,95	18,95	inner
10 B	15,875	14,00	10,30	6,40	9,20	17,20	outer
10 B	15,875	14,00	10,30	6,40	9,20	17,20	connecting
10 B	15,875	14,00	10,30	7,55	9,20	17,20	outer
For riveting nut ANCHOR MINARB BN 197 M6 for the plate thickness 0,5 – 1,6 mm							
10 B	15,875	14,00	10,30	7,55	9,20	17,20	connecting
For riveting nut ANCHOR MINARB BN 197 M6 for the plate thickness 0,5 – 1,6 mm							
10 B	15,875	14,00	11,20	5,30	8,20	16,20	outer
10 B	15,875	14,00	11,20	5,30	8,20	16,20	connecting
12 A	19,05	15,70	12,20	5,60	10,30	18,20	outer
12 B	19,05	17,00	13,45	5,64	11,10	20,10	outer
12 B	19,05	17,00	13,45	6,01	11,10	20,10	outer
12 B	19,05	17,00	13,45	6,40	9,60	20,10	outer
12 B	19,05	17,00	13,45	6,40	11,50	20,10	inner
12 B	19,05	17,00	13,45	6,40	13,10	20,10	inner
12 B	19,05	17,00	13,45	9,46	11,10	20,10	outer
For riveting nut ANCHOR MINARB BN 197 M6 for the plate thickness 1,7 - 2,4 mm							
12 B	19,05	17,00	13,45	9,46	11,10	20,10	connecting
For riveting nut ANCHOR MINARB BN 197 M6 for the plate thickness 1,7 - 2,4 mm							
16 B	25,4	24,00	17,00	8,40	16,20	25,60	outer
16 B	25,4	24,00	17,00	8,40	16,20	25,60	connecting
16 B	25,4	24,00	18,00	8,40	16,20	24,60	outer
16 B	25,4	24,00	18,00	8,40	16,20	24,60	connecting
16 B	25,4	24,00	18,00	9,00	16,20	24,60	outer
16 B	25,4	24,00	18,00	9,00	16,20	24,60	connecting
16 B	25,4	24,00	20,20	8,40	13,70	24,60	outer
16 B	25,4	24,00	20,20	8,40	13,70	24,60	connecting
16 B	25,4	24,00	20,20	10,20	16,00	24,60	outer
16 B	25,4	24,00	20,20	10,20	16,00	24,60	connecting

ATTACHMENTS

ČZ Standard



FOR CHAIN	NOMINAL PITCH	DIMENSION	DIMENSION	DIMENSION	PLATE
	p	A	B	V	
08 B	12,70	11,50	8,90	13,00	outer
08 B	12,70	11,50	8,90	13,00	connecting
12 B	19,05	17,00	13,45	20,10	outer

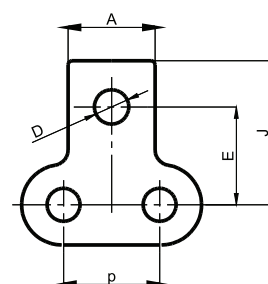


FOR CHAIN	NOMINAL PITCH	DIMENSION	DIMENSION	DIMENSION	DIMENSION	DIMENSION	PLATE
	p	B	D	e	G	V	
08 B	12,7	8,50	4,30	8,10	12,70	13,30	outer
08 B	12,7	8,50	4,30	9,90	12,70	13,30	inner
08 B	12,7	8,90	4,30	13,10	12,70	19,10	outer
10 B	15,875	10,30	5,30	10,95	15,88	17,45	outer
10 B	15,875	10,30	5,30	10,95	15,88	17,45	connecting
12 B	19,05	11,80	6,40	9,60	19,05	17,00	outer
12 B	19,05	11,80	6,40	13,60	19,05	22,60	outer
12 B	19,05	13,45	5,30	11,10	19,05	17,30	outer
12 B	19,05	13,45	6,40	13,10	19,05	20,10	inner

ATTACHMENTS

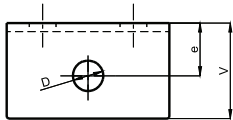
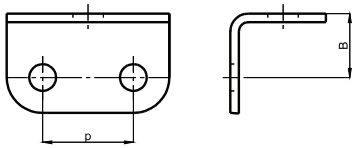
ČZ Standard

FOR CHAIN	NOMINAL PITCH	DIMENSION	DIMENSION	DIMENSION	DIMENSION	PLATE
	p	A	D	E	J	
06 B	9,525	8,00	4,50	9,10	13,60	outer
06 B	9,525	8,00	4,50	9,10	13,60	connecting
08 B	12,7	11,50	4,30	13,00	20,60	inner
08 B	12,7	11,50	4,30	14,30	19,00	outer
08 B	12,7	11,50	4,37	14,60	19,00	outer
08 B	12,7	11,50	4,37	14,60	19,00	connecting
08 B	12,7	11,50	4,55	13,00	19,00	outer
08 B	12,7	11,50	4,55	13,40	19,00	outer
08 B	12,7	11,50	5,00	13,00	19,00	outer
08 B	12,7	11,50	6,40	13,00	19,00	outer
08 B	12,7	11,50	6,40	13,00	19,00	connecting
10 B	15,875	14,00	4,30	13,00	24,00	outer
10 B	15,875	14,00	4,30	13,00	24,00	connecting
10 B	15,875	14,00	4,99	16,70	19,00	outer
10 B	15,875	14,00	4,99	16,70	19,00	connecting
10 B	15,875	14,00	5,20	15,00	21,90	outer
10 B	15,875	14,00	5,30	16,00	25,55	inner
12 A	19,05	15,70	5,60	18,25	26,15	outer
12 A	19,05	15,70	5,60	18,25	26,15	inner
12 B	19,05	17,00	5,64	21,00	30,00	outer
12 B	19,05	17,00	6,40	19,50	30,00	outer
12 B	19,05	17,00	6,40	21,00	30,00	inner
12 B	19,05	17,00	6,40	21,40	30,00	inner
12 B	19,05	17,00	6,40	19,50	30,00	connecting
16 B	25,4	24,00	8,40	27,50	36,90	outer
16 B	25,4	24,00	8,40	27,50	36,90	connecting
16 B	25,4	24,00	8,40	28,50	36,90	outer
16 B	25,4	24,00	8,40	28,50	36,90	connecting
16 B	25,4	24,00	8,40	28,20	39,10	outer
16 B	25,4	24,00	8,40	28,20	39,10	connecting
16 B	25,4	24,00	9,20	30,50	39,10	outer
16 B	25,4	24,00	9,20	30,50	39,10	connecting

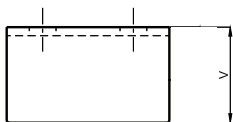
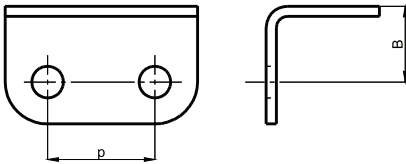


ATTACHMENTS

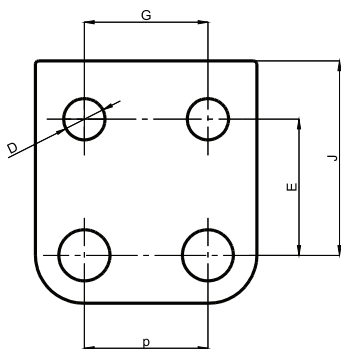
ČZ Standard



FOR CHAIN	NOMINAL PITCH	DIMENSION	DIMENSION	DIMENSION	DIMENSION	PLATE
	p	B	D	e	V	
08 B	12,7	8,90	6,40	8,30	13,00	outer
08 B	12,7	8,90	6,40	8,30	13,00	connecting
10 B	15,875	10,30	5,30	9,20	17,20	outer
12 B	19,05	13,45	6,40	11,10	20,10	outer
12 B	19,05	13,45	6,40	11,10	20,10	connecting
16 B	25,4	20,20	8,20	16,00	24,60	outer



FOR CHAIN	NOMINAL PITCH	DIMENSION	DIMENSION	PLATE
	p	B	V	
06 B	9,525	6,50	7,90	outer
08 B	12,7	8,90	13,00	outer
08 B	12,7	8,90	13,00	connecting
08 B	12,7	8,90	19,10	outer
12 B	19,05	13,45	20,10	outer

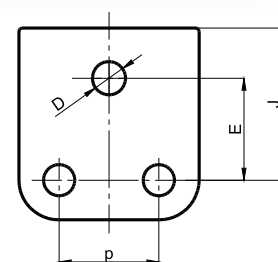


FOR CHAIN	NOMINAL PITCH	DIMENSION	DIMENSION	DIMENSION	DIMENSION	PLATE
	p	D	E	G	J	
06 B	9,525	3,20	9,10	9,41	12,30	outer
06 B	9,525	3,20	9,10	9,41	12,30	connecting
08 B	12,7	4,30	13,80	12,70	19,00	outer
08 B	12,7	4,30	15,60	12,70	19,00	inner
10 B	15,875	5,30	16,25	15,87	24,25	inner
10 B	15,875	5,30	17,75	15,88	24,25	outer
10 B	15,875	5,30	17,75	15,88	24,25	connecting
12 B	19,05	5,30	21,00	19,05	27,20	outer
12 B	19,05	5,64	21,00	19,05	30,00	outer
12 B	19,05	6,40	21,00	19,05	30,00	inner
12 B	19,05	6,40	23,00	19,05	30,00	inner

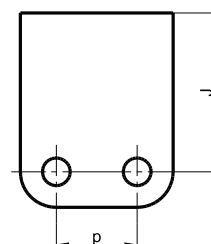
ATTACHMENTS

ČZ Standard

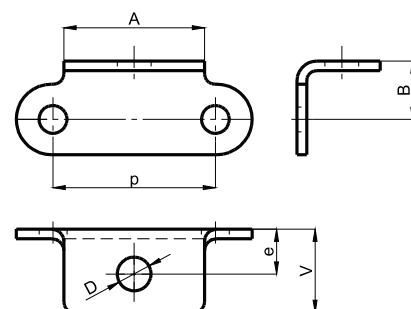
FOR CHAIN	NOMINAL PITCH	DIMENSION	DIMENSION	DIMENSION	PLATE
	p	D	E	J	
08 B	12,7	4,30	17,00	23,00	outer
08 B	12,7	4,30	17,00	25,10	outer
08 B	12,7	6,40	14,30	19,00	outer
10 B	15,875	5,30	16,25	24,25	outer
16 B	25,4	8,20	30,50	39,10	outer



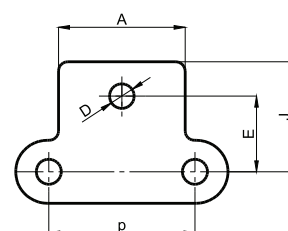
FOR CHAIN	NOMINAL PITCH	DIMENSION	PLATE
	p	J	
06 B	9,525	8,10	outer
08 B	12,7	19,00	outer
08 B	12,7	25,10	outer
10 B	15,875	24,25	outer
10 B	15,875	24,25	connecting
10 B	15,875	33,50	outer
12 B	19,05	14,00	outer
12 B	19,05	14,00	inner
12 B	19,05	14,00	connecting
12 B	19,05	24,30	inner
16 B	25,4	39,10	outer



FOR CHAIN	NOMINAL PITCH	DIMENSION	DIMENSION	DIMENSION	DIMENSION	DIMENSION	PLATE
	p	A	B	D	e	V	
208 B	25,4	22,00	8,50	4,30	8,10	13,60	outer
208 B	25,4	22,00	9,12	4,30	7,00	13,00	outer
208 B	25,4	22,00	9,12	5,30	7,00	13,00	outer
210 B	31,75	28,00	11,13	4,30	9,20	17,20	outer
210 B	31,75	28,00	11,13	5,30	9,20	17,20	outer
212 B	38,10	35,00	14,68	6,40	11,15	19,15	outer



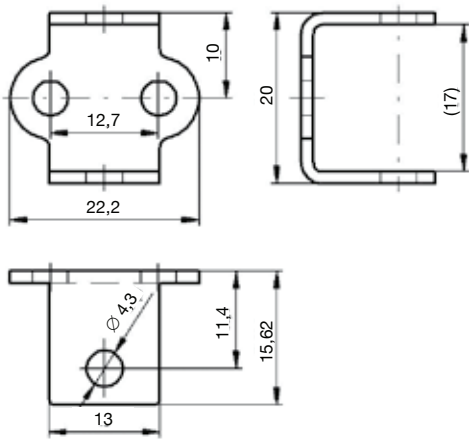
FOR CHAIN	NOMINAL PITCH	DIMENSION	DIMENSION	DIMENSION	DIMENSION	PLATE
	p	A	D	E	J	
208 B	25,4	22,00	4,30	13,70	19,20	outer
208 B	25,4	22,00	4,30	13,20	19,20	outer
208 B	25,4	22,00	5,30	13,20	19,20	outer
212 B	38,1	35,00	6,40	21,90	29,90	outer



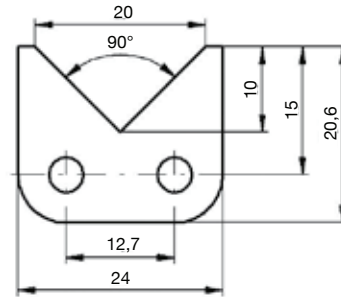
ATTACHMENTS

ČZ Standard

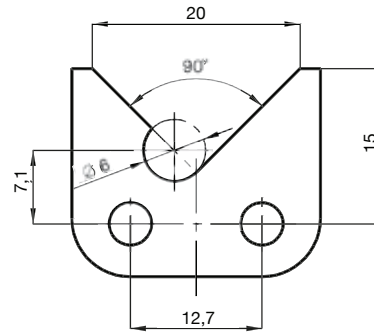
1/2"x1/4" MOFA, 1/2"x3/16" MOFA outer, connecting



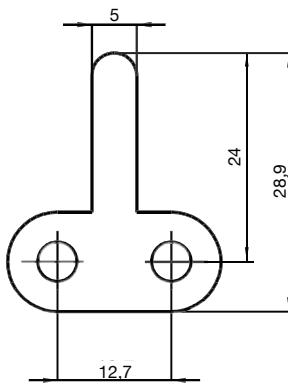
1/2"x3/16" VD, 1/2"x3/16" MOFA, 1/2"x1/4" MOFA outer



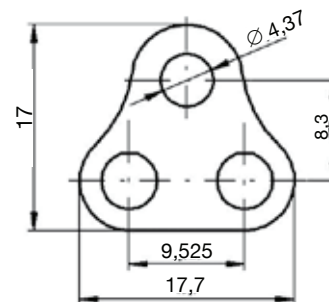
1/2"x3/16" Mofa outer



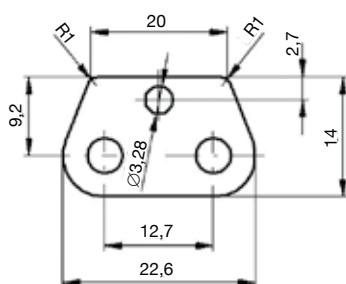
1/2"x3/16" Velo outer, inner



06 A, 06 B inner



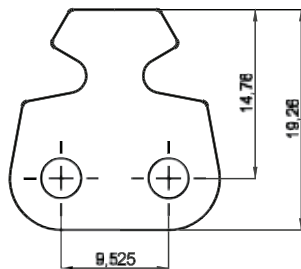
1/2"x3/16" MOFA, 1/2"x1/4" MOFA outer



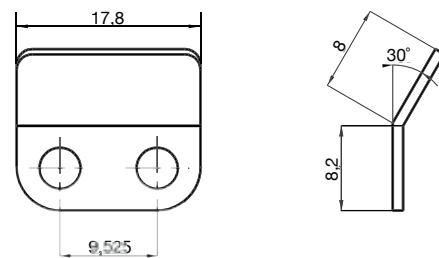
ATTACHMENTS

ČZ Standard

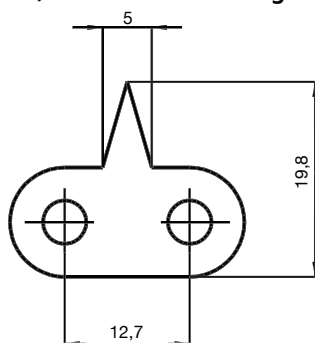
06 C outer, inner and connecting



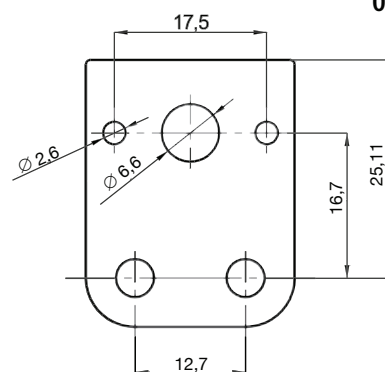
06 B outer, inner and connecting



08B outer, inner and connecting

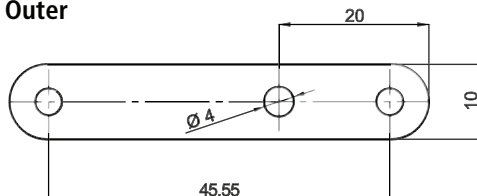


08B Outer

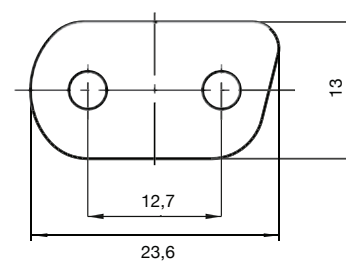


Straight pointed end or grinded under 15° angle taper can be oriented inside or outside of the chain

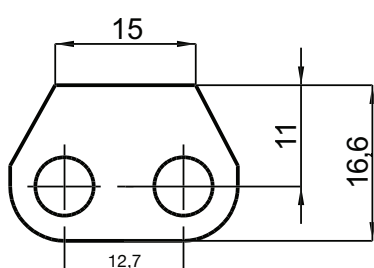
081 Outer



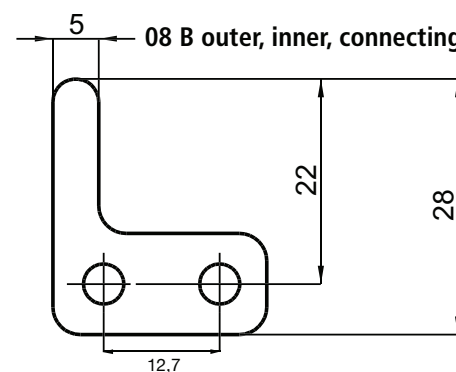
082 Outer



08 B outer, inner, connecting



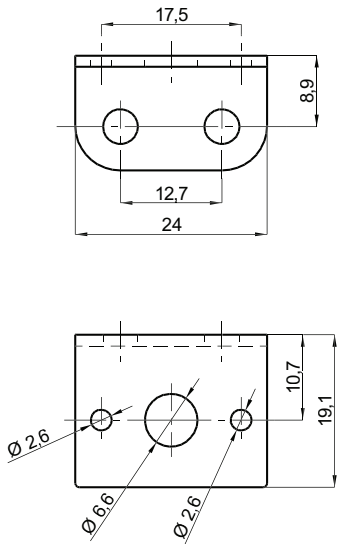
08 B outer, inner, connecting



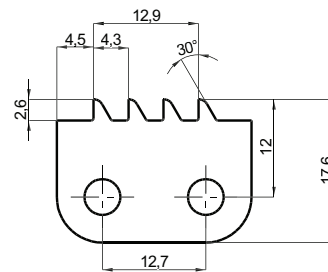
ATTACHMENTS

ČZ Standard

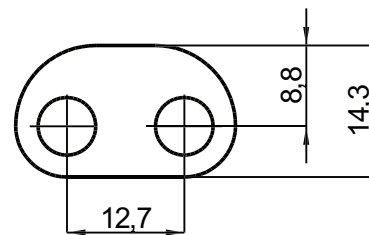
08 B outer



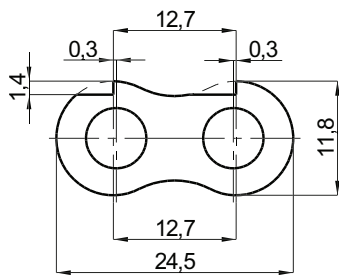
08 B outer, connecting



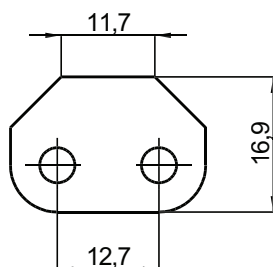
08 B a 08 A inner



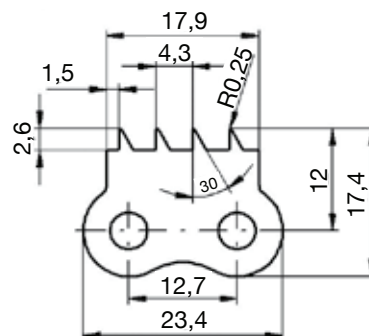
08 B a 08 A outer, inner, connecting



08 B outer



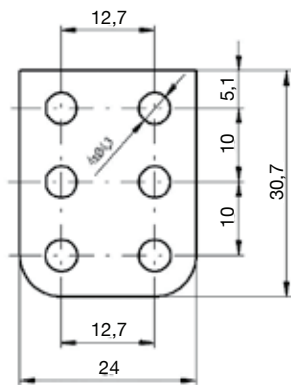
08 B, 086 outer, connecting



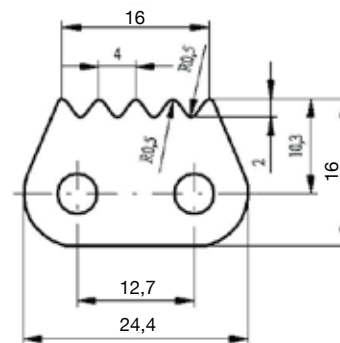
ATTACHMENTS

ČZ Standard

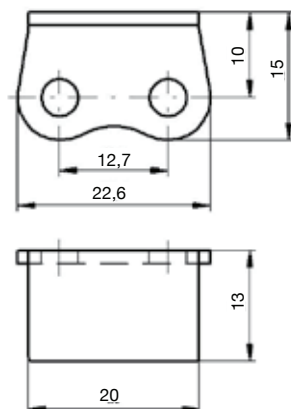
08 B, 086 outer



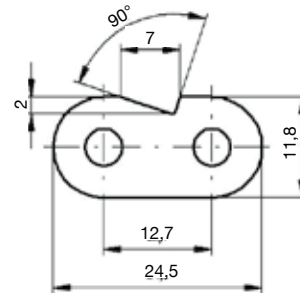
08 B a 08 A outer, inner, connecting



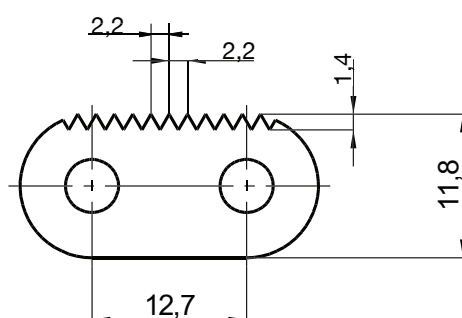
08 B, 086 outer, connecting



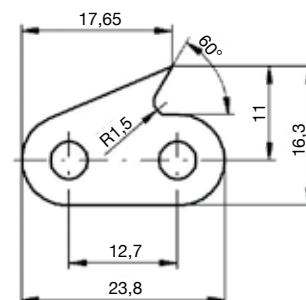
08 B a 086 outer, inner, connecting



08 B outer, inner, connecting



08 B, 086 outer, connecting

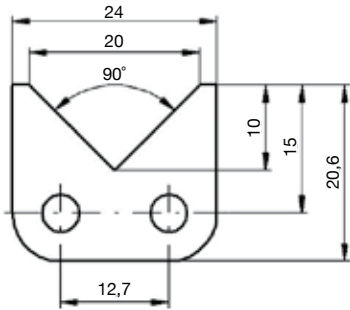


Apex is grinded

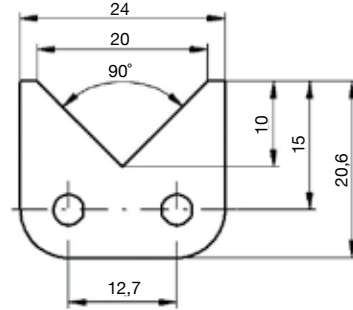
ATTACHMENTS

ČZ Standard

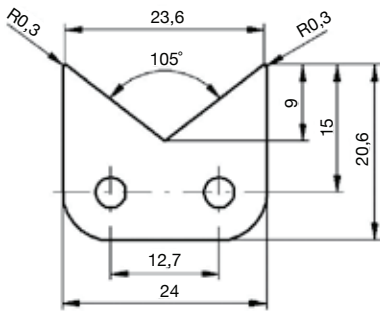
08 B, 086 outer



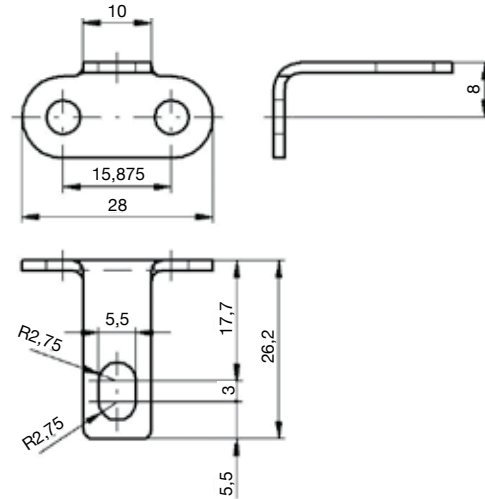
081, 082, 1/2"x3/16" VELO outer



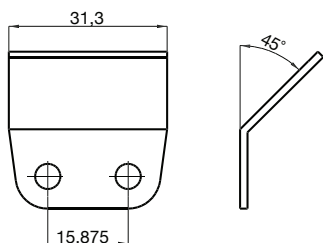
081, 082, 1/2"x3/16" VELO outer



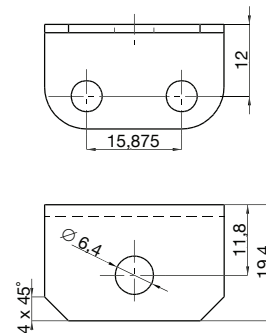
10 B, 101 outer



10 B outer



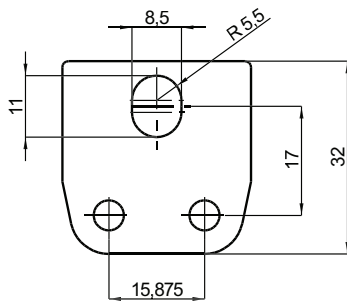
10 B outer



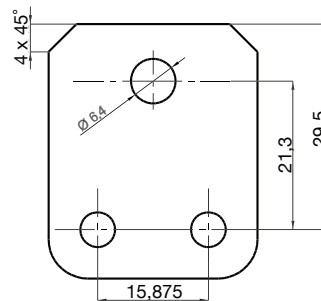
ATTACHMENTS

ČZ Standard

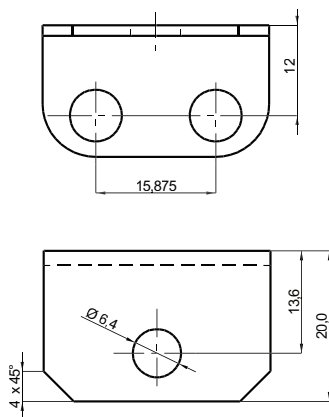
10 B outer



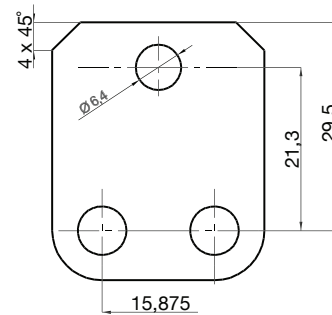
10 B inner



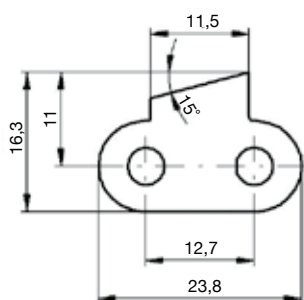
10 B inner



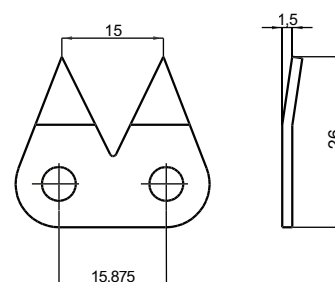
10 B outer



08 B, 086 outer, connecting



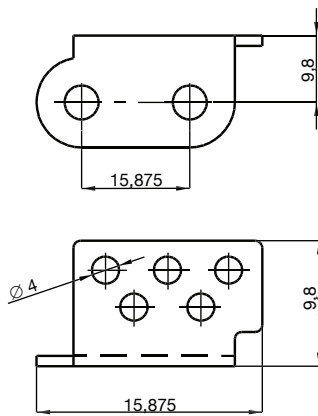
10 B outer, inner and connecting



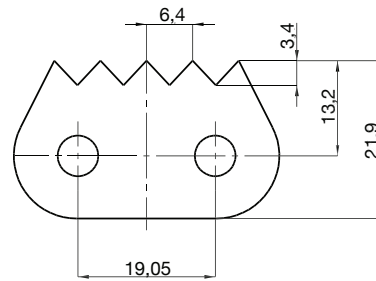
ATTACHMENTS

ČZ Standard

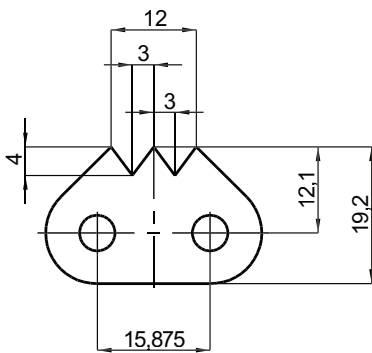
10 B outer



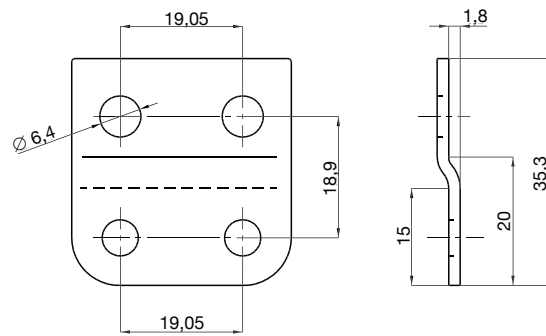
12 B a 12 A outer, inner and connecting



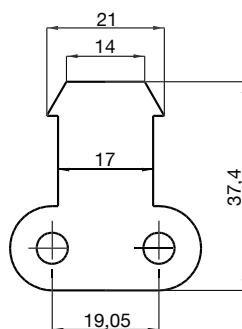
10 B outer, inner and connecting



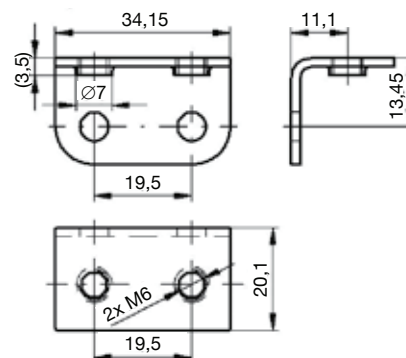
12 B outer



12 B outer



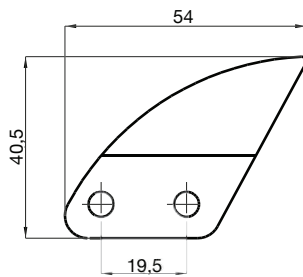
12B outer



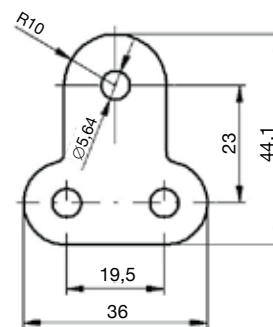
ATTACHMENTS

ČZ Standard

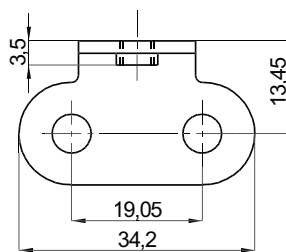
12 B outer right and left



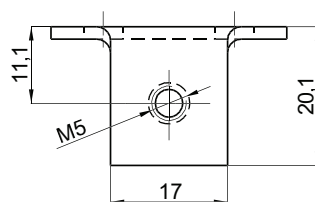
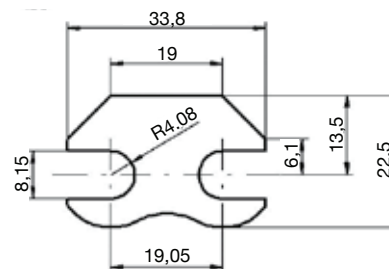
12B inner



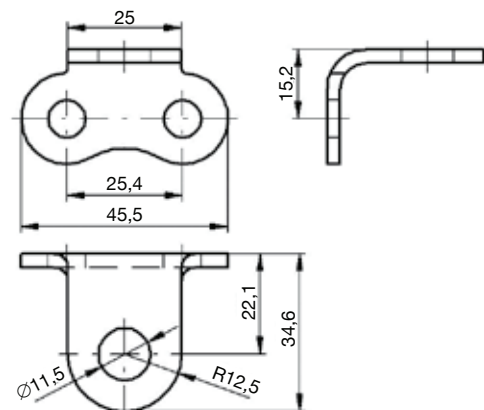
12 B outer



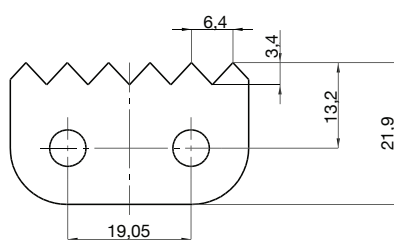
12 B



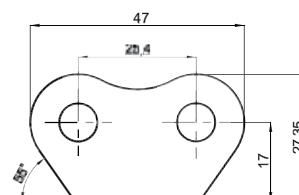
16 B outer



12 B a 12 A outer, inner and connecting



16 B outer

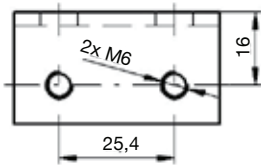
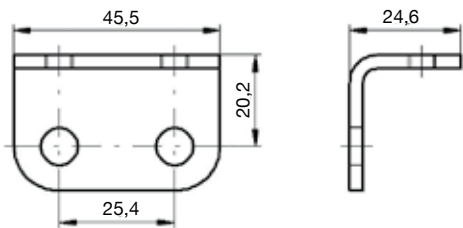


Straight or grinded apex under $\angle 15^\circ$

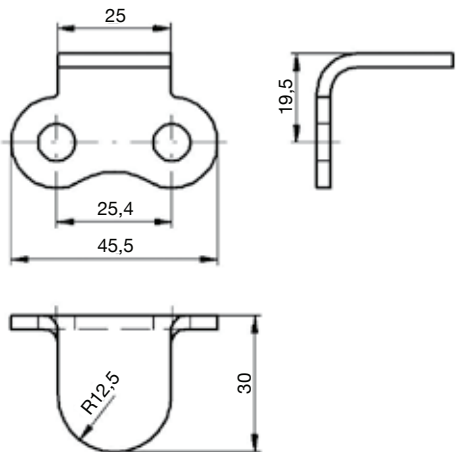
ATTACHMENTS

ČZ Standard

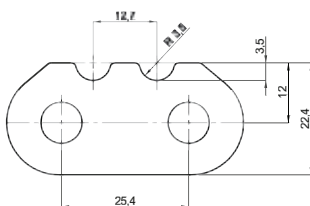
16 B outer



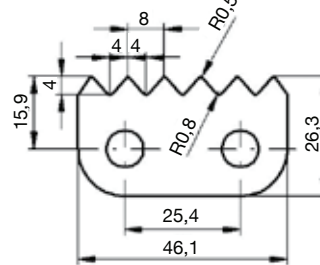
16 B outer, connecting



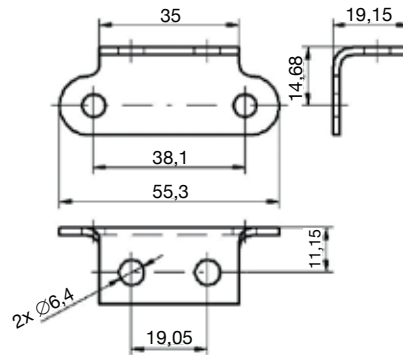
16 B outer, inner, connecting



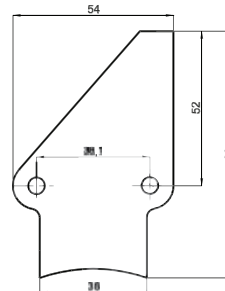
16 B outer, inner, connecting



212 A outer, connecting



C 212 B outer, connecting



C 212 B outer, right, left connecting right

